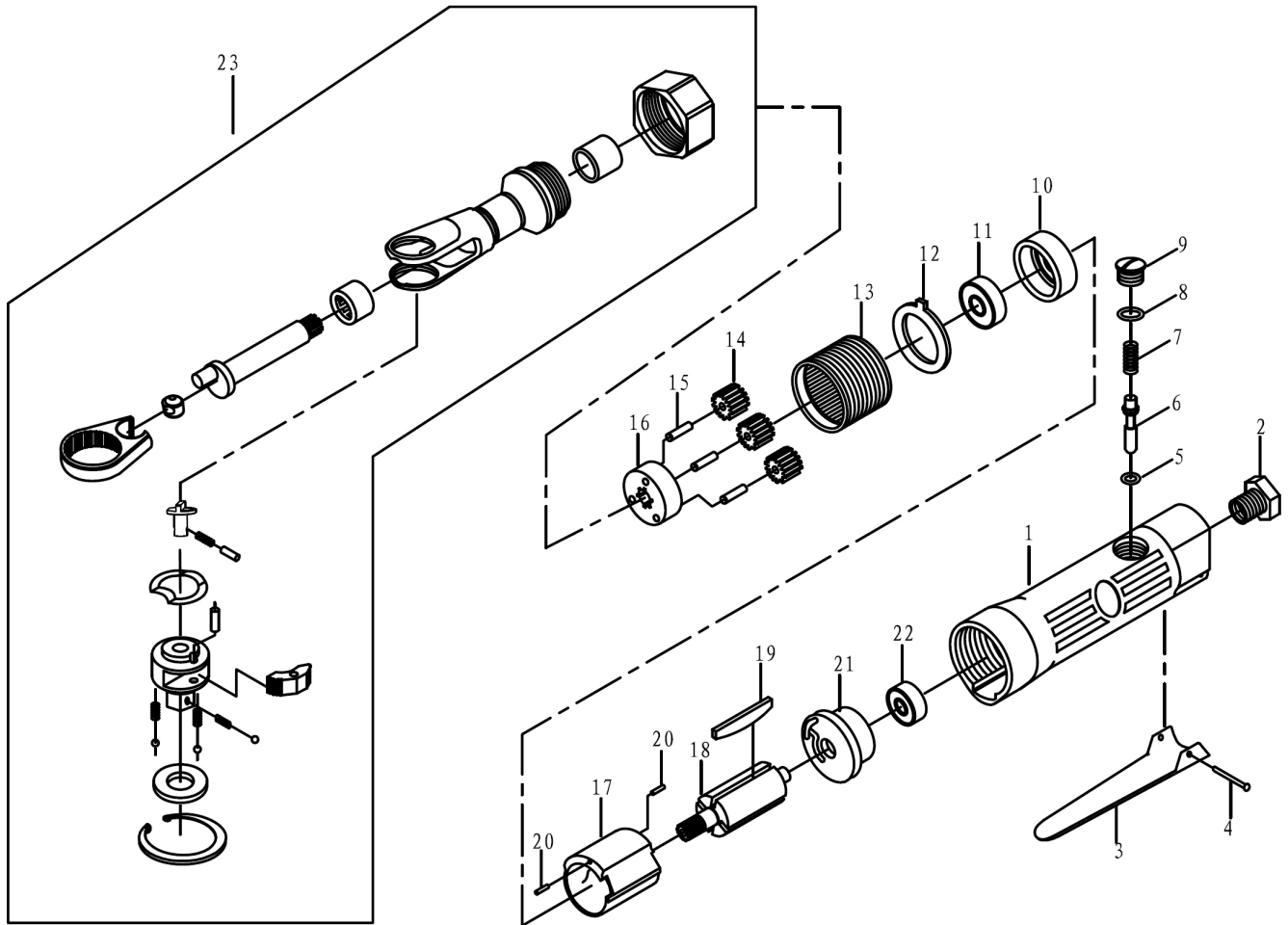




Parts Information:
Air Ratchet Wrench 1/2"sq Drive & 3/8"sq Drive
Model No: SA21/S.V3 & SA20/S.V3



Item	Part No.	Description	Item	Part No.	Description
1	SA21S.V3-01	HOUSING	14	SA21S.V3-14	PLANET GEAR
2	SA21S.V3-02	AIR INLET CONNECTOR	15	SA21S.V3-15	PLANET PIN
3	SA21S.V3-03	TRIGGER	16	SA21S.V3-16	PLANET CAGE
4	SA21S.V3-04	TRIGGER PIN	17	SA21S.V3-17	CYLINDER
5	SA21S.V3-05	O-RING	18	SA21S.V3-18	ROTOR
6	SA21S.V3-06	VALVE PIN	19	SA21S.V3-19	ROTOR BLADE
7	SA21S.V3-07	VALVE SPRING	20	SA21S.V3-20	STRAIGHT PIN
8	SA21S.V3-08	O-RING	21	SA21S.V3-21	BACK CYLINDER HEAD
9	SA21S.V3-09	VALVE PLUG	22	SA21S.V3-22	BEARING
10	SA21S.V3-10	FRONT CYLINDER HEAD	23	SA21/S.V3-23	RACHET HANDLE ASSEMBLY 1/2"SQ DRIVE (SA21/S ONLY)
11	SA21S.V3-11	BEARING	23	SA20S.V3-23	RACHET HANDLE ASSEMBLY 3/8"SQ DRIVE (SA20/S ONLY)
12	SA21S.V3-12	WASHER			
13	SA21S.V3-13	GEAR RING			

NOTE: It is our policy to continually improve products and as such we reserve the right to alter data, specifications and component parts without prior notice.

IMPORTANT: No liability is accepted for incorrect use of product.

WARRANTY: Guarantee is 12 months from purchase date, proof of which will be required for any claim.

Sealey Group, Kempson Way, Suffolk Business Park, Bury St Edmunds, Suffolk. IP32 7AR



01284 757500



01284 703534



sales@sealey.co.uk



www.sealey.co.uk