



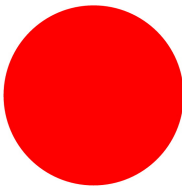
Illuminated pushbutton actuators, Flat Front, flush, maintained, red, blank



Powering Business Worldwide™



**Part no.** M30C-FDRL-R  
**Catalog No.** 182951  
**Eaton Catalog No.** M30C-FDRL-R

## Delivery program

|                                                                             |   |  |                                                                                    |
|-----------------------------------------------------------------------------|---|--|------------------------------------------------------------------------------------|
| Product range                                                               |   |  | RMQ-Titan                                                                          |
| Basic function                                                              |   |  | Illuminated pushbutton actuators                                                   |
| Single unit/Complete unit                                                   |   |  | Single unit                                                                        |
| Design                                                                      |   |  | Flat                                                                               |
|                                                                             |   |  | maintained                                                                         |
| <b>Button plate</b>                                                         |   |  |                                                                                    |
| button plate                                                                |   |  | red                                                                                |
| Button plate                                                                |   |  |  |
|                                                                             |   |  | Blank                                                                              |
| Degree of Protection                                                        |   |  | IP66, IP67, IP69                                                                   |
| Front ring                                                                  |   |  | Metal bezel                                                                        |
| Connection to SmartWire-DT                                                  |   |  | Yes, with SWD-RMQ connections                                                      |
| <b>Actuator travel and actuation force as per DIN EN 60947-5-1, K.5.4.1</b> |   |  |                                                                                    |
| Minimum force for positive opening                                          | N |  | 0                                                                                  |
| Front dimensions                                                            |   |  | Ø 36 mm                                                                            |
| <b>Instructions</b>                                                         |   |  | Stay-put/spring-return function can be changed on device                           |

## Technical data

### General

|                             |              |                   |                                                                                          |
|-----------------------------|--------------|-------------------|------------------------------------------------------------------------------------------|
| Standards                   |              |                   | IEC/EN 60947<br>VDE 0660                                                                 |
| Lifespan, mechanical        | Operations   | x 10 <sup>6</sup> | > 1                                                                                      |
| Operating frequency         | Operations/h |                   |  1800 |
| Actuating force             |              | n                 |  5    |
| Climatic proofing           |              |                   | Damp heat, constant, to IEC 60068-2-78<br>Damp heat, cyclic, to IEC 60068-2-30           |
| Degree of Protection        |              |                   | IP66, IP67, IP69                                                                         |
| Ambient temperature         |              |                   |                                                                                          |
| Open                        |              | °C                | -25 - +70                                                                                |
| Mounting position           |              |                   | As required                                                                              |
| Mechanical shock resistance |              | g                 | 15<br>Shock duration 11 ms<br>Sinusoidal<br>according to IEC 60068-2-27                  |

## Design verification as per IEC/EN 61439

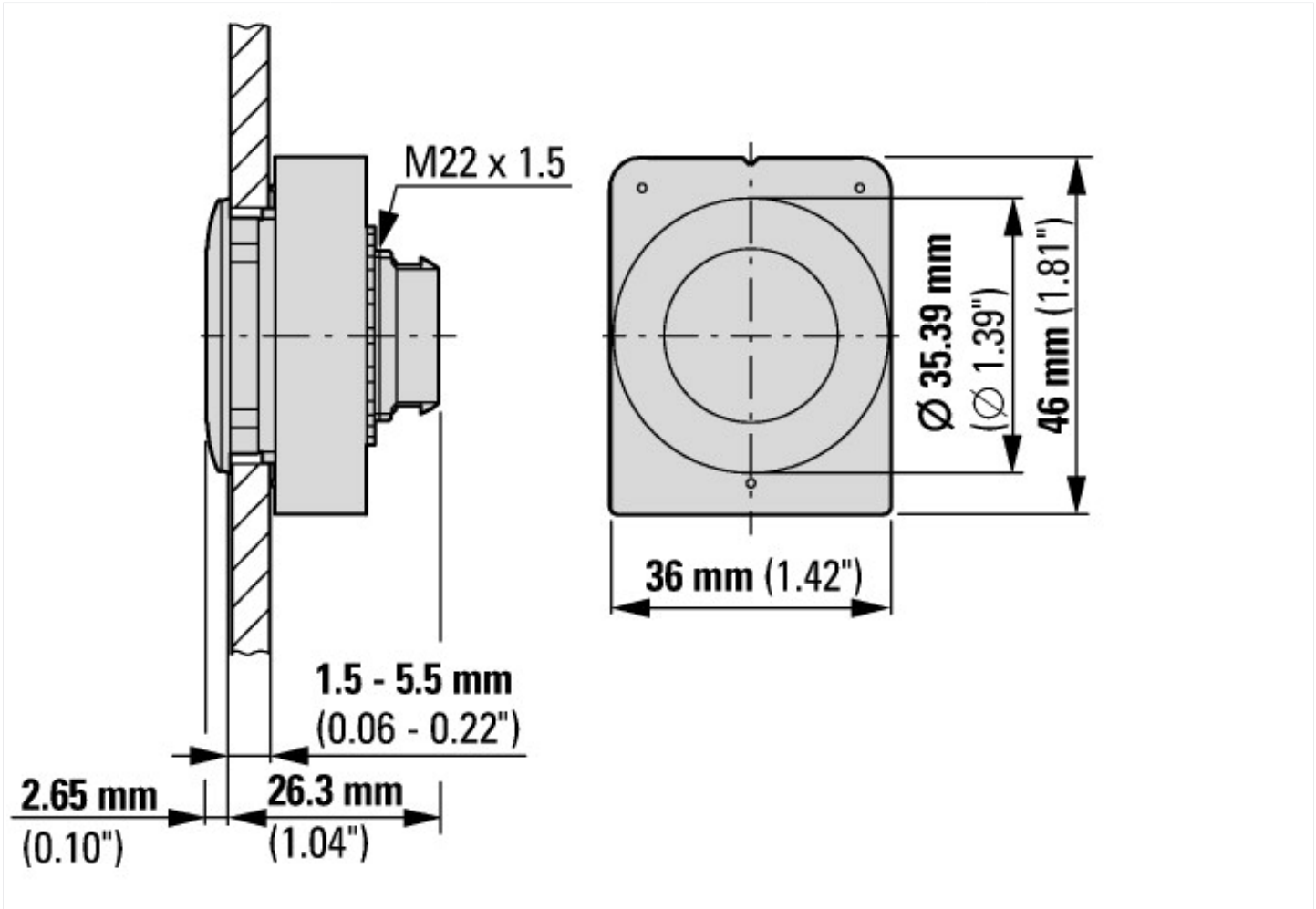
|                                        |  |    |     |
|----------------------------------------|--|----|-----|
| Technical data for design verification |  |    |     |
| Operating ambient temperature max.     |  | °C | -25 |
| Operating ambient temperature max.     |  | °C | 70  |

## Technical data ETIM 6.0

Low-voltage industrial components (EG000017) / Front element for push button (EC000221)

|                                       |    |        |
|---------------------------------------|----|--------|
| Colour button                         |    | Red    |
| Number of command positions           |    | 1      |
| Construction type lens                |    | Round  |
| Hole diameter                         | mm | 30     |
| Width opening                         | mm | 0      |
| Height meter opening                  | mm | 0      |
| Degree of protection (IP), front side |    | IP67   |
| Type of button                        |    | Flat   |
| Suitable for illumination             |    | Yes    |
| With protection cover                 |    | No     |
| Labelled                              |    | No     |
| Switching function latching           |    | Yes    |
| Spring-return                         |    | No     |
| With front ring                       |    | Yes    |
| Material front ring                   |    | Metal  |
| Colour front ring                     |    | Chrome |

## Dimensions





with 2 M22-K... standard contact elements



with M22-FK... flat rear contact elements



### Additional product information (links)

IL047019ZU Flat Front

IL047019ZU Flat Front

[ftp://ftp.moeller.net/DOCUMENTATION/AWA\\_INSTRUCTIONS/IL047019ZU2017\\_02.pdf](ftp://ftp.moeller.net/DOCUMENTATION/AWA_INSTRUCTIONS/IL047019ZU2017_02.pdf)