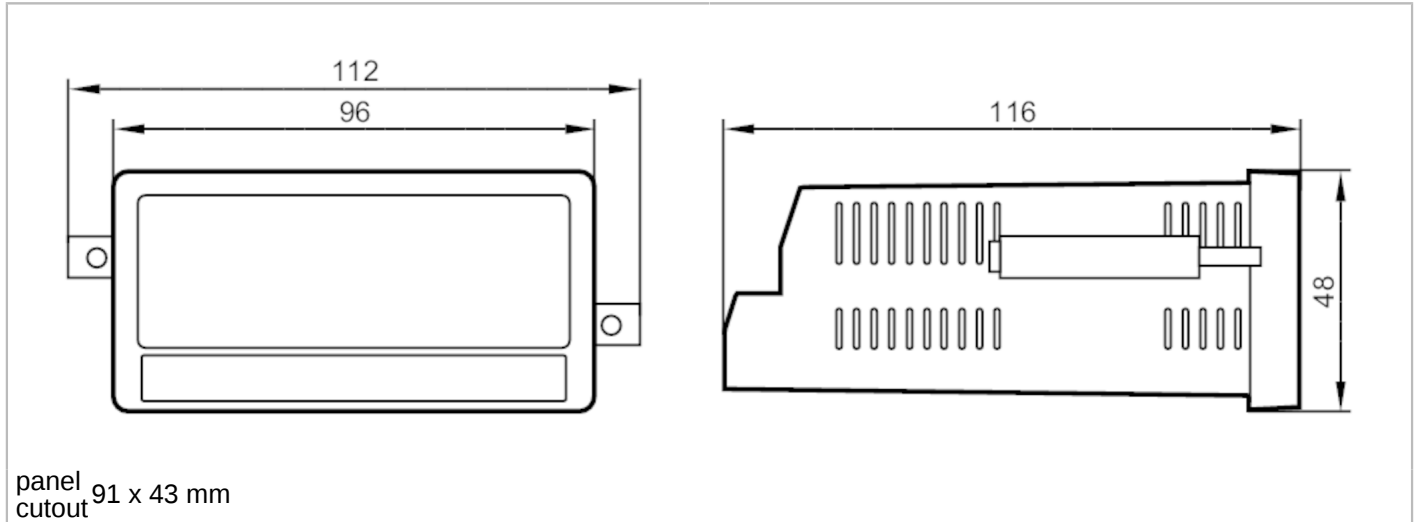


DX2052



Multifunction display for monitoring analogue standard signals

DISPLAY/AX460/PNP OUT/DC



panel cutout 91 x 43 mm



Product characteristics	
Dimensions	[mm] 48 x 112 x 116
Application	
Application	displaying and monitoring analogue signals; e.g. pressure sensors, temperature sensors or flow sensors
Electrical data	
Operating voltage	[V] 18...30 DC
Current consumption	[mA] 100
Inputs / outputs	
Number of inputs and outputs	Number of analogue inputs: 2; Number of digital outputs: 4
Inputs	
Number of analogue inputs	2
Outputs	
Number of digital outputs	4
Overload protection	yes
Operating conditions	
Ambient temperature	[°C] -20...60
Storage temperature	[°C] -25...70
Protection	IP 65
Protection rating terminals	IP 20
Tests / approvals	
EMC	EN 61000-6-2
	EN 61000-6-3
	EN 61000-6-4

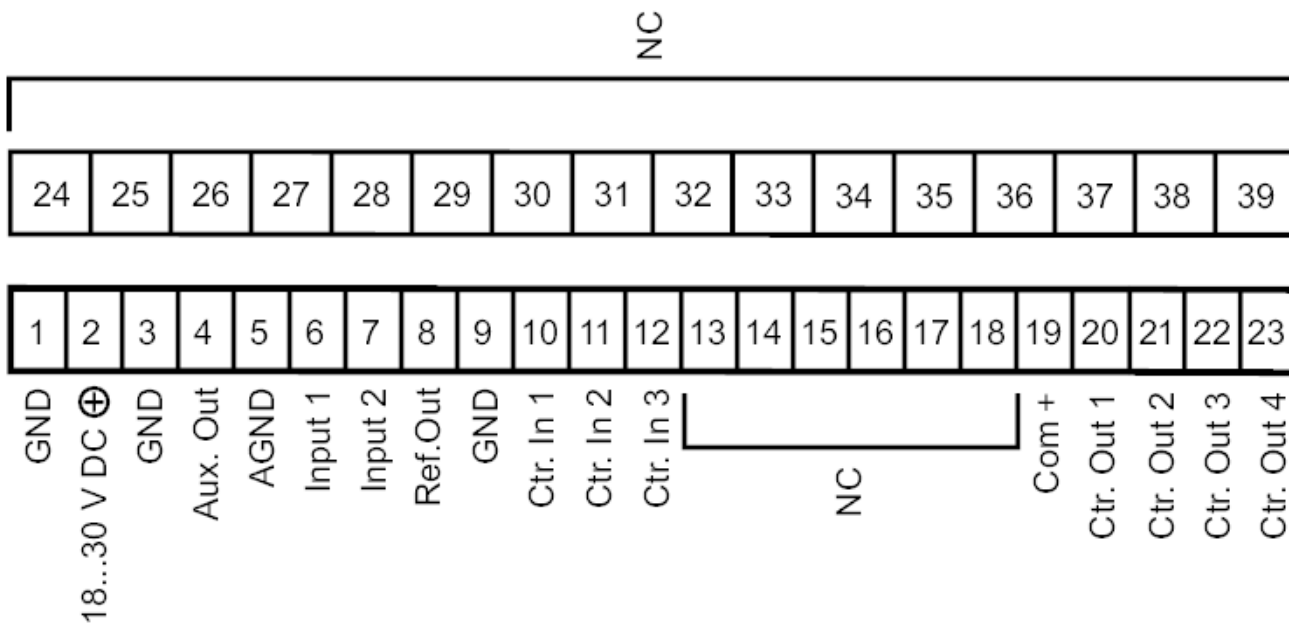
DX2052



Multifunction display for monitoring analogue standard signals

DISPLAY/AX460/PNP OUT/DC

Mechanical data		
Weight	[g]	299.5
Type of mounting		panel cutout: 91 x 43 mm
Dimensions	[mm]	48 x 112 x 116
Materials		Noryl UL94-V-0
Displays / operating elements		
Display	colour display	full graphic LCD display, touch screen
Electrical connection		
screw terminals:		
Connection		



NC not used