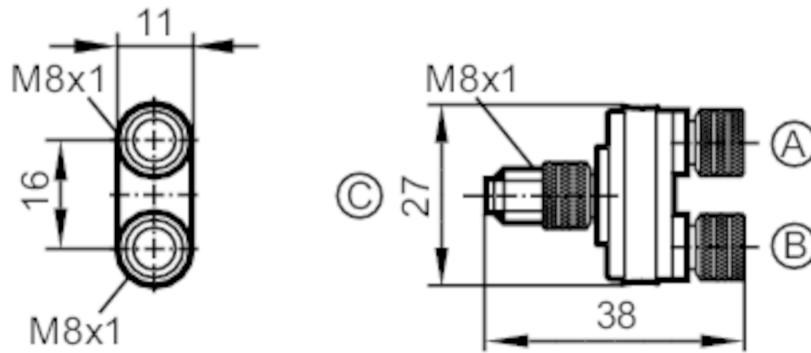


E12269



Y-splitter

ZDO2F030MSS0000-00STGF040MSS



Application	
Special feature	Free from silicone; Gold-plated contacts
Free from silicone	yes
Electrical data	
Operating voltage [V]	< 30 AC/DC
Protection class	III
Max. current load per module/slot [A]	3
Max. current load total [A]	3
Operating conditions	
Ambient temperature [°C]	-25...90
Protection	IP 68
Mechanical data	
Weight [g]	15.7
Dimensions [mm]	11 x 27 x 38
Materials	PUR
Material nut	brass, nickel-plated / brass, nickel-plated
Number of ports splitter box	2
Connector type	M8
Remarks	
Pack quantity	1 pcs.

Electrical connection - plug

Connector: 1 x M8; Moulded body: PUR; Locking: brass, nickel-plated; Contacts: gold-plated

E12269

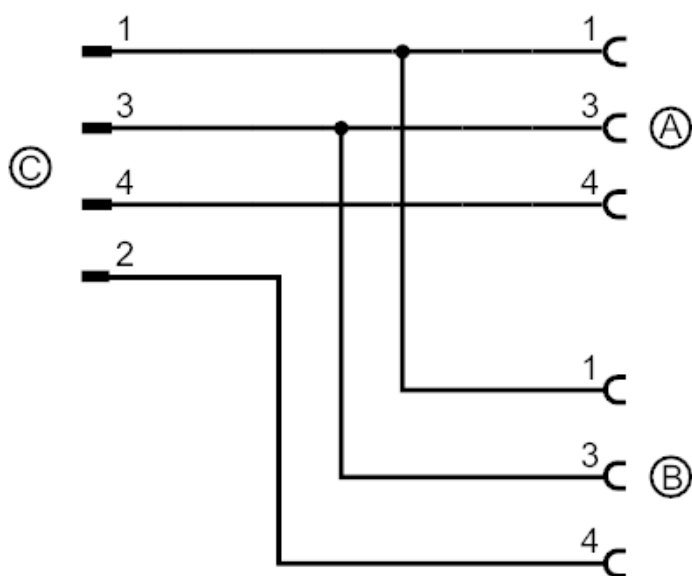


Y-splitter

ZDO2F030MSS0000-00STGF040MSS



Connection



Electrical connection - socket

Connector: 2 x M8; Moulded body: PUR; Locking: brass, nickel-plated; Contacts: gold-plated

