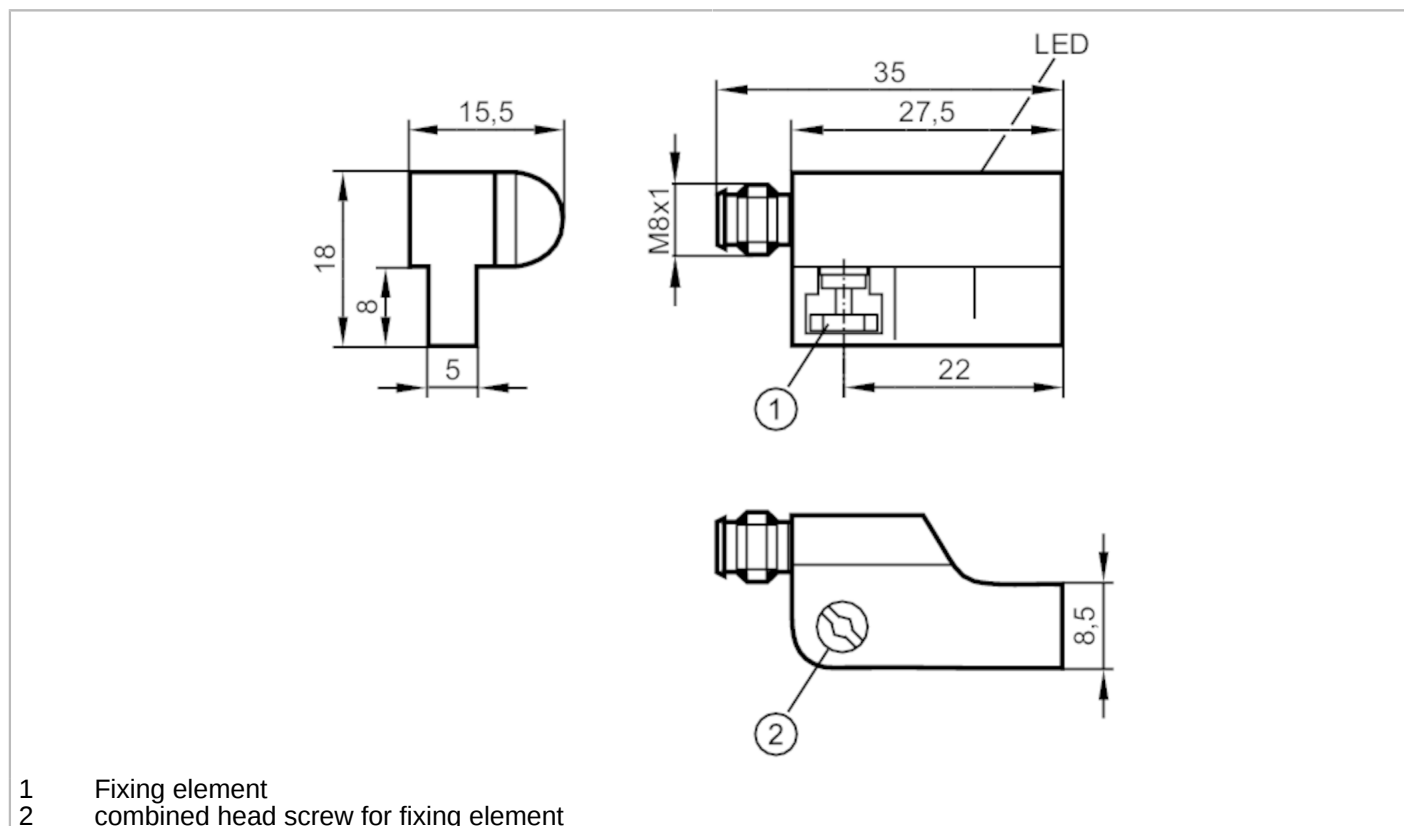


MR0902



T-slot cylinder sensor with reed contact

MRI3021-BKOA/RIAS



- 1 Fixing element
- 2 combined head screw for fixing element



Product characteristics	
Electrical design	PNP
Output function	normally open
Dimensions [mm]	27.5 x 18 x 15.5
Electrical data	
Operating voltage [V]	5...50 AC / 5...60 DC; (cULus supply class 2: 5...30 AC / 5...60 DC)
Protection class	III
Reverse polarity protection	yes

MR0902



T-slot cylinder sensor with reed contact

MRI3021-BKOA/RIAS

Outputs		
Electrical design		PNP
Output function		normally open
Max. voltage drop switching output DC	[V]	2.5
Max. voltage drop switching output AC	[V]	2.5
Permanent current rating of switching output AC	[mA]	350
Permanent current rating of switching output DC	[mA]	500
Switching frequency AC	[Hz]	1000
Switching frequency DC	[Hz]	1000
Max. switching power	[W]	10
Short-circuit proof		no
Overload protection		no
Detection zone		
Response sensitivity	[mT]	2.1
Travel speed	[m/s]	10
Accuracy / deviations		
Hysteresis	[mm]	1
Repeatability	[mm]	< 0.2
Response times		
Max. fall time	[ms]	0.1
Max. make time incl. bounce	[ms]	0.6
Operating conditions		
Ambient temperature	[°C]	-25...70
Protection		IP 65; IP 67
Tests / approvals		
EMC	EN 61000-4-2 ESD	- CD / 8 kV AD
	EN 61000-4-3 HF radiated	10 V/m
	EN 61000-4-4 Burst	2 kV
	EN 61000-4-5 Surge	0,5 kV line to line, Ri: 2 Ohm
	EN 61000-4-6 HF conducted	10 V
	EN 55011	class B
MTTF	[years]	17837
Mechanical data		
Weight	[g]	12.4
Mounting		non-flush mountable
Type of mounting		fixing element with combined head slot / hexagon socket AF 1.5
Cylinder type		T-slot cylinders
Dimensions	[mm]	27.5 x 18 x 15.5
Materials		housing: PA; Fixing element: stainless steel / brass
Switching cycles when connected to PLC	[Mio]	< 40

MR0902



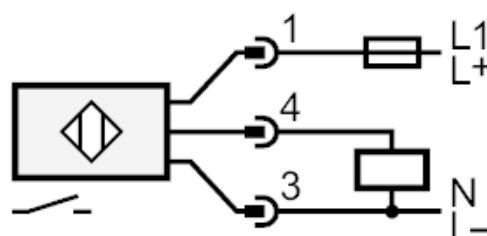
T-slot cylinder sensor with reed contact

MRI3021-BKOA/RIAS

Displays / operating elements		
Display	switching status	1 x LED, yellow
Electrical connection		
Required protection	miniature fuse to IEC60127-2 sheet 1; $\leq 0,175$ A; fast acting	
Accessories		
Accessories (supplied)	rubber placeholder: 1	
Remarks		
Remarks	Recommendation: Check the safe functioning of the unit after a short circuit. operating voltage "supply class 2" according to cULus	
Pack quantity	1 pcs.	

Electrical connection - plug

Connector: 1 x M8; Locking: snap-fit



Note miniature fuse to IEC60127-2 sheet 1 ≤ 0.175 A fast acting