

MOSA M12 FEMALE 90° 2LED FIELD-WIREABLE (IDC)3-pol. 0.25...0.5mm²

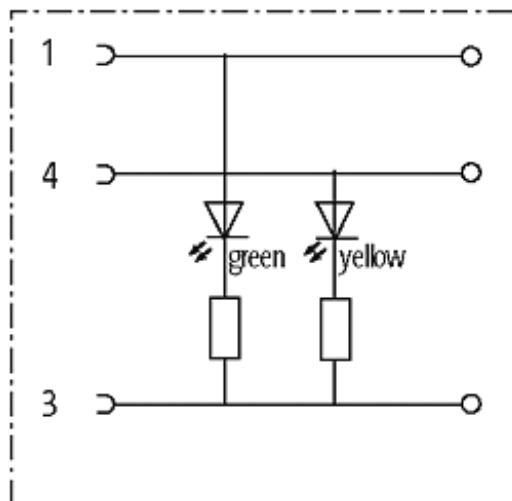
Female 90°

3-pole with 2 × LED (PNP)

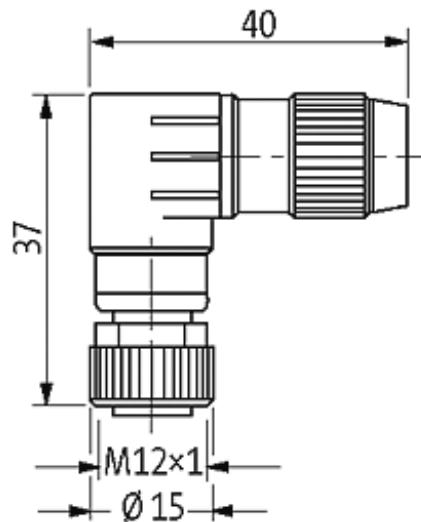
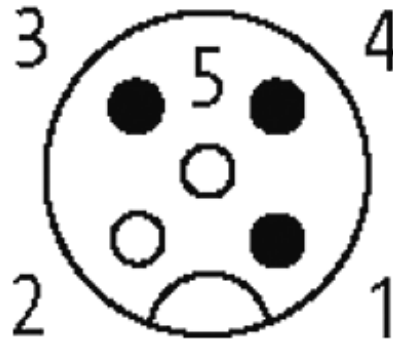
Connection cross section: 0.25...0.5 mm²

Art.-No. 7005 - M12 Lite - (plastic hexagonal screw) on request

The resistance to aggressive media should be individually tested for your application.
Further details on request.

[Link to Product](#)**Illustration**

Female



Product may differ from Image

Approvals



Form

12671

Technical Data

Operating voltage	24 V DC $\pm 25\%$
Operating current per contact	max. 4 A
Connection cross section	0.25...0.5 mm ² (conductor diameter min. 0.1 mm)
Sealing range (cable diameter)	4...5.1 mm
Wire isolation	PVC, PP, TPE
Outer wire diameter	1.2...1.6 mm
Locking of parts	Screw thread M12 \times 1 mm (recommended torque 0.6 Nm) self-

The information in this brochure has been compiled with the utmost care.

Liability for the correctness completeness and topicality of the information is restricted to gross negligence. Version: 05/15

Locking of ports	securing
Protection	IP65 and IP67 when plugged and screwed down (EN 60529)
General data	
Temperature range	-25...+85 °C
Dimensions H × W × D	37×40×15 mm
Commercial data	
country of origin	DE
customs tariff number	85369010
minimum order quantity	1