

M12 FEMALE 0° SHIELDED

PVC 5X0.34 shielded black UL,CSA 10m

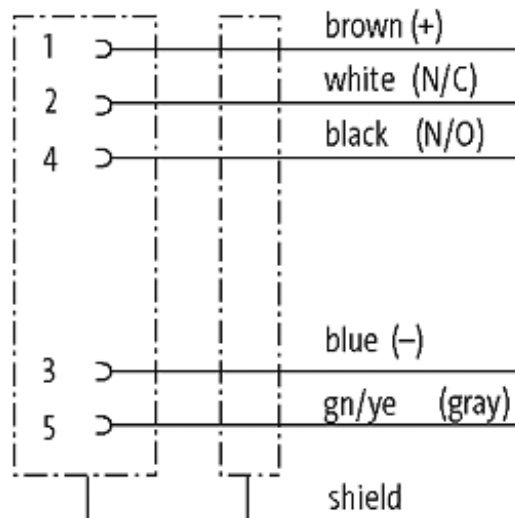
M12

Female straight
5-pole, shielded

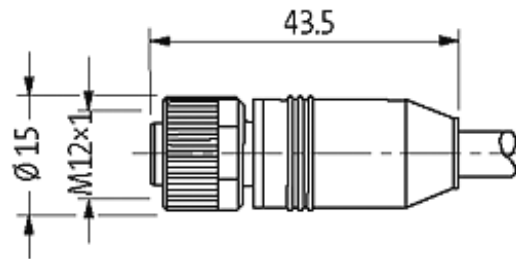
Plastic housings with good resistance against chemicals and oils. The resistance to aggressive media should be individually tested for your application. Further details on request. Further cable lengths on request.

[Link to Product](#)

Illustration



Female



Product may differ from Image