

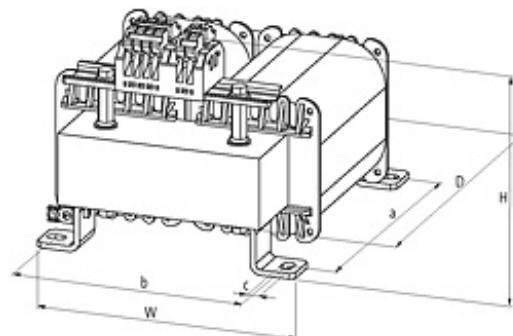
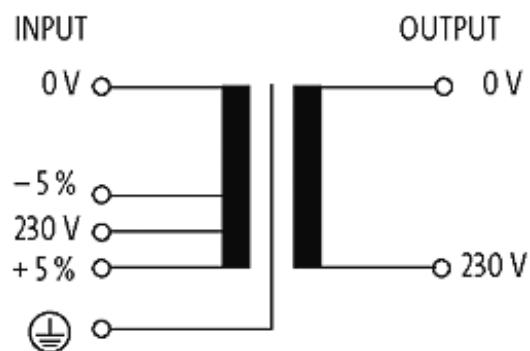
MET 1-PHASE CONTROL AND ISOLATION TRANSFORMER

P: 5000VA IN: 230VAC+/- 5% OUT: 230VAC

Single-phase - Control and Isolation Transformers
5000 VA
Isolation class T 40/B

[Link to Product](#)

Illustration



Product may differ from image

Product may differ from image

Approvals



Input

Input voltage	230 V AC \pm 5 %
Frequency	50...60 Hz
Short-circuit current	1257 A (230 V AC)
Input current	22.6 A (230 V AC)
Inrush current	562 A (230 V AC)

General data

Standards	(EN 61558-1), (EN 61558-2-4), (EN 62041 category 0)
Test isolation voltage	4 kV (prim./sec.)
Dimensions H x W x D	225x198x250 mm
Fixing centers a x b x c	200x174x9 mm
Drill hole \varnothing	9x14 mm
Mounting method	Long-hole mounting
Temperature range	-20...+40 °C, no condensation

Output

Output voltage	230 V AC
----------------	----------

Commercial data

country of origin	CZ
customs tariff number	85043200
minimum order quantity	1