



CONTACTOR, AC-6B, 50KVAR/400V, 1NO+1NC, 110V AC, 50HZ, 3-POLE, SIZE S2 SCREW TERMINAL

Figure similar

product brand name	SIRIUS
Product designation	3RT26 capacitor contactors

General technical data:

Insulation voltage		
• Rated value	V	690
Degree of pollution		3
Surge voltage resistance Rated value	kV	6
Mechanical service life (switching cycles)		
• of the contactor with added auxiliary switch block typical		3 000 000
Electrical endurance (switching cycles)		200 000
Protection class IP		
• on the front		IP20
Equipment marking		
• acc. to DIN EN 61346-2		Q
• acc. to DIN EN 81346-2		Q

Main circuit:

Number of NC contacts for main contacts		0
Number of NO contacts for main contacts		3
Operating current		
• at AC-6b at 690 V		
— at ambient temperature 40 °C Rated value	A	75.8
— at ambient temperature 60 °C Rated value	A	72.2

Control circuit/ Control:

Type of voltage		AC
Type of voltage of the control supply voltage		AC
Control supply voltage with AC		
• at 50 Hz Rated value	V	110 ... 110
• Rated value	Hz	50
Operating range factor control supply voltage rated value of the magnet coil with AC		
• at 50 Hz		0.8 ... 1.1
Apparent pick-up power of the magnet coil with AC	V·A	190
Apparent holding power of the magnet coil with AC	V·A	16
Inductive power factor		
• with closing power of the coil		0.72
• with the holding power of the coil		0.37

Auxiliary circuit:

Number of NC contacts		
• for auxiliary contacts		1
— attachable		1
— instantaneous contact		1
Number of NO contacts		
• for auxiliary contacts		1
— attachable		1
— instantaneous contact		1
Product expansion Auxiliary switch		Yes
Identification number and letter for switching elements		1S+1Ö
Operating current of the auxiliary contacts at AC-12 maximum	A	10
Operating current of the auxiliary contacts at AC-15		
• at 230 V	A	6
• at 400 V	A	3
Operating current of the auxiliary contacts at DC-13		
• at 24 V	A	6
• at 60 V	A	2
• at 110 V	A	1
• at 125 V	A	0.9
• at 220 V	A	0.3
Contact reliability of the auxiliary contacts		0.00000001

UL/CSA ratings:

Contact rating of the auxiliary contacts acc. to UL		A600 / Q600
---	--	-------------

Short-circuit:

Design of the fuse link		
-------------------------	--	--

- for short-circuit protection of the main circuit
 - with type of assignment 1 required
- for short-circuit protection of the auxiliary switch required

gL/gG NH 3NA, DIAZED 5SB, NEOZED 5SE: 160 A
fuse gL/gG: 10 A

Installation/ mounting/ dimensions:

mounting position		+/-180° rotation possible on vertical mounting surface; can be tilted forward and backward by +/- 22.5° on vertical mounting surface
Mounting type		screw and snap-on mounting onto 35 mm standard mounting rail according to DIN EN 50022
Height	mm	114
Width	mm	65
Depth	mm	130
Required spacing		
<ul style="list-style-type: none"> • with side-by-side mounting <ul style="list-style-type: none"> — at the side 	mm	10
<ul style="list-style-type: none"> • for grounded parts <ul style="list-style-type: none"> — at the side 	mm	10

Connections/ Terminals:

Type of electrical connection		
<ul style="list-style-type: none"> • for main current circuit • for auxiliary and control current circuit 		screw-type terminals screw-type terminals
Type of connectable conductor cross-section		
<ul style="list-style-type: none"> • for main contacts <ul style="list-style-type: none"> — solid — stranded — single or multi-stranded — finely stranded with core end processing • for auxiliary contacts <ul style="list-style-type: none"> — solid — single or multi-stranded — finely stranded with core end processing • for AWG conductors for auxiliary contacts 		2x (0.75 ... 16 mm ²) 2x (16 ... 35 mm ²), 1x (16 ... 50 mm ²) 2x (1 ... 35 mm ²), 1x (1 ... 50 mm ²) 2x (1 ... 25 mm ²), 1x (1 ... 35 mm ²) 2x (0.5 ... 1.5 mm ²), 2x (0.75 ... 2.5 mm ²), 2x 4 mm ² 2x (0,5 ... 1,5 mm ²), 2x (0,75 ... 2,5 mm ²), 2x 4 mm ² 2x (0.5 ... 1.5 mm ²), 2x (0.75 ... 2.5 mm ²) 2x (20 ... 16), 2x (18 ... 14), 2x 12
Type of minimum connectable cross-section for main contacts at AC-6b		
<ul style="list-style-type: none"> • at 40 °C • at 60 °C 		1x 35 mm ² 1x 50 mm ²

Safety related data:

Product function Mirror contact acc. to IEC 60947-4-1		No
Protection against electrical shock		finger-safe

Mechanical data:

Size of contactor		S2
-------------------	--	----

Ambient conditions:

Installation altitude at height above sea level maximum	m	2 000
Ambient temperature		
• during operation	°C	-25 ... +60
• during storage	°C	-55 ... +80

Certificates/ approvals:

General Product Approval	other
--------------------------	-------



[Environmental Confirmations](#)

Further information

Information- and Downloadcenter (Catalogs, Brochures,...)

<http://www.siemens.com/industrial-controls/catalogs>

Industry Mall (Online ordering system)

<http://www.siemens.com/industrymall>

Cax online generator

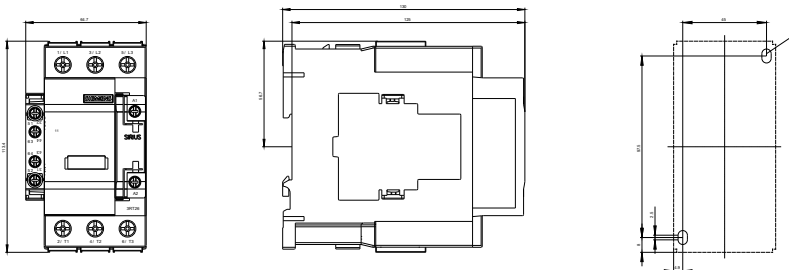
<http://support.automation.siemens.com/WW/CAXorder/default.aspx?lang=en&mlfb=3RT26361AF03>

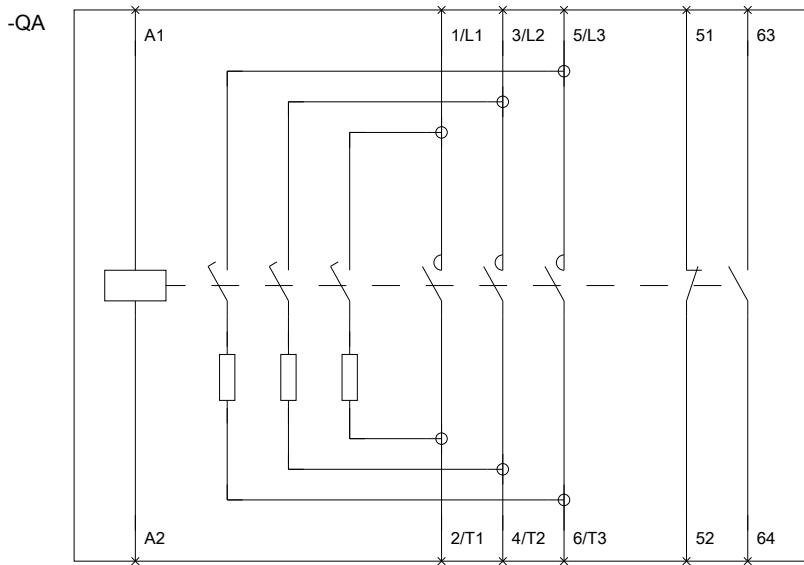
Service&Support (Manuals, Certificates, Characteristics, FAQs,...)

<http://support.automation.siemens.com/WW/view/en/3RT26361AF03/all>

Image database (product images, 2D dimension drawings, 3D models, device circuit diagrams, EPLAN macros, ...)

http://www.automation.siemens.com/bilddb/cax_de.aspx?mlfb=3RT26361AF03&lang=en





last modified:

11.03.2015