



ACTUATOR HEAD, METAL (W/O LEVER) RIGHT OR LEFT SWITCHING, ADJUSTABLE FOR ROTARY ACTUATORS FOR POSITION SWITCH 3SE51

Product designation		Semi-rotary actuator for position switch
Manufacturer article number		
<ul style="list-style-type: none"> of the supplied actuator head for position switches 		3SE5000-0AH00

General technical data:		
Shock resistance		30g / 11 ms
Vibration resistance		0.35 mm / 5g
Material of the enclosure of the switch head		metal
Equipment marking		
<ul style="list-style-type: none"> acc. to DIN EN 61346-2 acc. to DIN EN 81346-2 		T T
Active principle		mechanical
Explosion protection category for dust		none
Explosion protection category for gas		none
Minimum actuating torque in activation direction	N·m	0.25

Enclosure:		
Coating of the enclosure		Other types

Drive Head:		
Design of the operating mechanism		without

Communication/ Protocol:		
Design of the interface		without

Ambient conditions:		
Ambient temperature		
<ul style="list-style-type: none"> during operation 	°C	-25 ... +85




- during storage

°C	-40 ... +90
----	-------------

Installation/ mounting/ dimensions:

mounting position	any
Mounting type	lockable plug-in fixing

Certificates/ approvals:

General Product Approval	Declaration of Conformity	Test Certificates	other
 CSA	 UL	 EAC	 EG-Konf.
		Special Test Certificate	Confirmation

Further information

Information- and Downloadcenter (Catalogs, Brochures,...)

<http://www.siemens.com/industrial-controls/catalogs>

Industry Mall (Online ordering system)

<http://www.siemens.com/industrymall>

Cax online generator

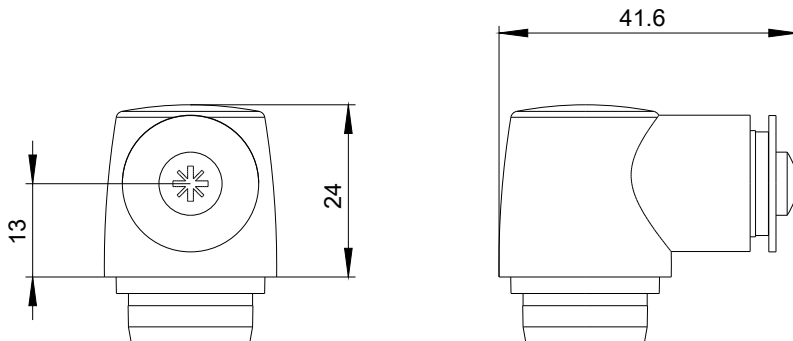
<http://support.automation.siemens.com/WW/CAXorder/default.aspx?lang=en&mfb=3SE50000AH00>

Service&Support (Manuals, Certificates, Characteristics, FAQs,...)

<http://support.automation.siemens.com/WW/view/en/3SE50000AH00/all>

Image database (product images, 2D dimension drawings, 3D models, device circuit diagrams, EPLAN macros, ...)

http://www.automation.siemens.com/bilddb/cax_de.aspx?mfb=3SE50000AH00&lang=en



last modified:

09.03.2015