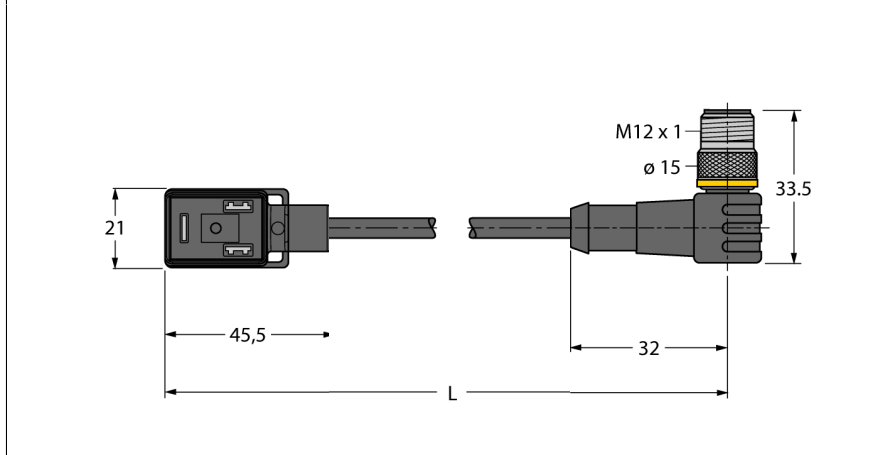


**Valve connector BI type  
Extension Cable  
VIS02-S80E-1-WSC5.31T/TXL**

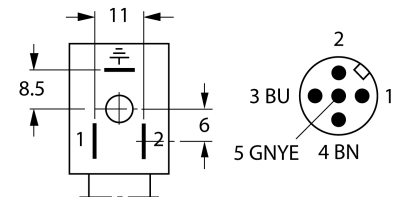


- 2-pin + PE
- Design according to the DIN EN 175301-803
- RoHS conform
- Protection class: IP67 and IP69K
- Protective component: Transil diode
- M12 male, angled, 2-pin + PE
- Sheath material: PUR
- Sheath color: black
- Qualified for drag chain use
- Resistant to weld splatter
- Resistant to chemicals and oils
- UV and ozone resistance
- Flame retardant
- Free from halogen, silicone, PVC and LABS
- Cable length: 1.0 m

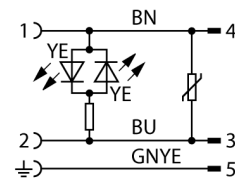
**Type designation** VIS02-S80E-1-WSC5.31T/TXL  
**Ident no.** 6606827

**Connector A side**  
 Valve connector, Design BI  
 Number of pins 2+PE  
 Contacts Metal, CuSn, Silver-plated  
 Contact carriers Plastic, PA, Black  
 Grip Plastic, TPU, Black/Translucent  
 Protective component Transil diode  
 Seal Plastic, TPU  
 Protection class IP67, IP69K, (mounted)  
 Display switch state LED yellow/yellow  
 Mechanical lifespan > 100 Mating cycles  
 Pollution degree 3

**Pin Assignment**



**Circuit Diagram**



**Connector B side**  
 Connector, M12 x 1, Straight  
 Number of pins 2+PE pins  
 Contacts metal, CuZn, Gold-plated  
 Contact carriers Plastic, TPU, Black  
 Grip Plastic, TPU, Black  
 Coupling nut/screw Brass, CuZn, Nickel-plated  
 Protection class IP67, IP69K, Only when screwed tight  
 Mechanical lifespan > 100 Mating cycles  
 Pollution degree 3  
 Tightening torque 0.8 ... 1 Nm

**General data**  
 Cable diameter 5.2 ± 0.20mm  
 Cable length 1 m  
 Cable quality PUR  
 Cable color Black  
 Core insulation PP  
 Core colors BN, BU, GNYE  
 Core cross-section 3x0.34mm<sup>2</sup>  
 Arrangement of strands 42x0.1 mm

**Electrical features at +20 °C**  
 Current 4 A  
 Rated voltage 24 V  
 Insulation resistance > 1 MΩ/km  
 Test voltage 2000 V  
 Forward resistance max. 57 Ω/km

**Valve connector BI type  
Extension Cable  
VIS02-S80E-1-WSC5.31T/TXL****Mechanical and chemical properties**

---

Max. tensile strength (static)	≤ 50 N/mm <sup>2</sup>
Max. tensile strength (dynamic)	≤ 20 N/mm <sup>2</sup>
Bending cycles	> 5 mil.
Bending radius (stationary laying)	> 5 x Ø
Bending radius (flexible use)	> 10 x Ø
Admissible acceleration	max. 5 m/s <sup>2</sup>
Admissible travel path, horizontal	5 m (at 5 m/s <sup>2</sup> )
Admissible travel path, vertical	2 m (at 5 m/s <sup>2</sup> )
Admissible traversing speed	3.3 m/s
Torsional stress	± 180 °/m
Ambient temperature	
Stationary	-50...+80°C
In motion	-30...+90°C
Drag chain operation	-25...+60°C