

Features

- Easy bridging functionality of contacts by means of plug-in jumpers directly on the connector
- Fast realisation of potential multiplication as well as star and delta bridges
- Rapid termination technology without tools for a time saving assembly and for optimal process reliability
- Mating compatible to connectors of the Han E®, Han® ES and Han® ESS product families
- Integrated opening for measuring probe

Description

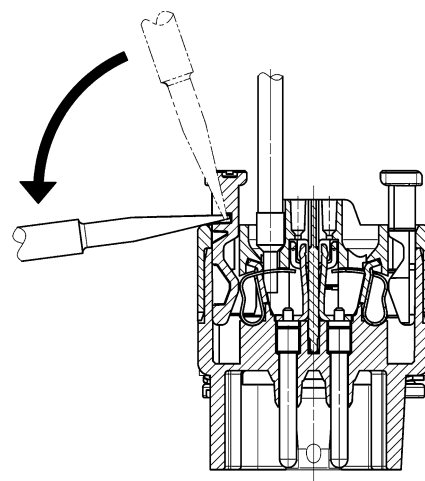
- To assemble the conductor close the blue press button with light finger pressure
- Audible and tactile snap-in of press buttons and plug-in jumpers
- Conductors can be connected with and without ferrules
- Zero Insertion Force (ZIF) of conductor into contact
- Jumpers for potential multiplication within the connector
- Jumpers to bridge star and delta circuits within the connector
- Suitable for hoods and housings of the Han® B, Han® M, Han® EMV, Han® HPR, Han® Easy Hood and Han-Drive® series
- Suitable for control cabinets in combination with Han-Snap® series

Hint:

When using plug-in jumpers within Han® ES Press hoods of high construction must be used.

Removal of conductor

To open the blue press button use a standard screw driver (blade 2.5 mm) with a light lever movement.

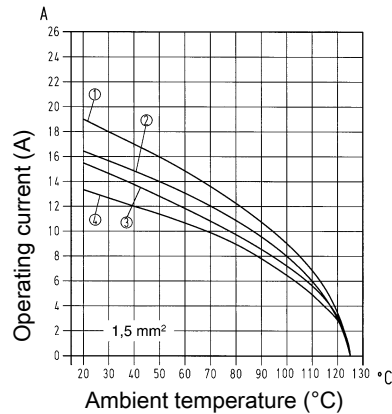


Technical characteristics

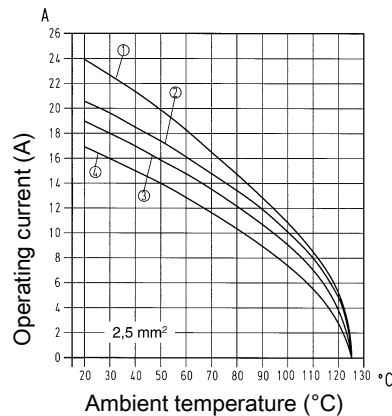
Specifications	DIN EN 60 664-1 DIN EN 61 984
Inserts	
Contacts	6, 10, 16, 24
Electrical data acc. to DIN EN 61 984	
Rated current	16 A
Rated voltage	500 V
Rated impulse voltage	6 kV
Pollution degree	3
Insulation resistance	$\geq 10^{10} \Omega$
Material	polycarbonate
Limiting temperatures	-40 °C ... +125 °C
Flammability acc. to UL 94	V 0
Mating cycles	≥ 500
Contacts	
Material power contacts	copper alloy
Surface	
silver plated	3 μm Ag
Contact resistance	$\leq 3 \text{ m}\Omega$
Cage clamp termination	0.14 ... 2.5 mm ²
Max. insulation diameter	5.0 mm
Stripping length	9 ... 11 mm
Plug-in jumpers	
Contacts	2, 3, 5, 8, 12
Colour jumpers	RAL 3018 (red) RAL 5012 (blue) RAL 5004 (black)
Electrical data acc. to DIN EN 61 984	
Rated current	16 A
Rated voltage	500 V
Rated impulse voltage	6 kV
Pollution degree	3
Limiting temperatures	-40 °C ... +125 °C
Flammability acc. to UL 94	V 0
Mating cycles	≥ 5
Material insulation	polyamide
Insulation resistance	$\geq 10^{10} \Omega$
Material jumpers	copper alloy
Surface jumpers	
- tin plated	3 μm Sn
Contact resistance	$\leq 1,0 \text{ m}\Omega$

Current carrying capacity

The current carrying capacity of the connectors is limited by the thermal load capability of the contact element material including the connections and the insulating parts. The derating curve is therefore valid for currents which flow constantly (non-intermittent) through each contact element of the connector evenly, without exceeding the allowed maximum temperature. Measuring and testing techniques according to DIN EN 60 512-5-2.



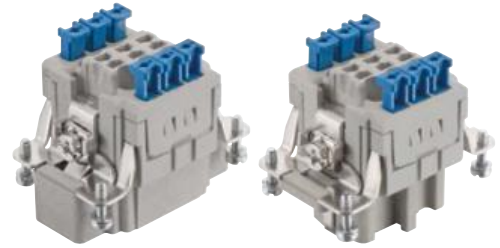
- ① Han® 6 ES Press insert 1.5 mm²
- ② Han® 10 ES Press insert 1.5 mm²
- ③ Han® 16 ES Press insert 1.5 mm²
- ④ Han® 24 ES Press insert 1.5 mm²



- ① Han® 6 ES Press insert 2.5 mm²
- ② Han® 10 ES Press insert 2.5 mm²
- ③ Han® 16 ES Press insert 2.5 mm²
- ④ Han® 24 ES Press insert 2.5 mm²

Number of contacts

6 +



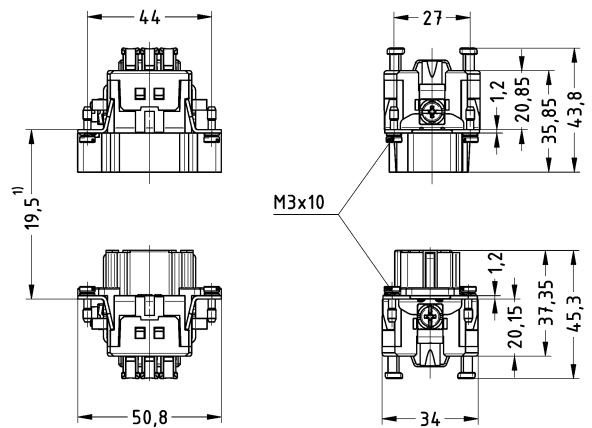
500 V 16 A

Identification	Part number		Drawing	Dimensions in mm
	Male insert (M)	Female insert (F)		

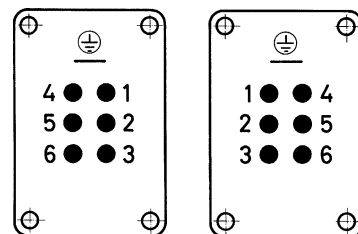
Han® 6 ES Press

09 33 006 2648

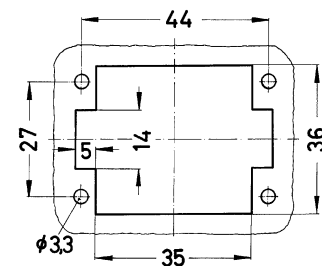
09 33 006 2748



1) Distance for contacts max. 21 mm



Contact arrangement: view from termination side

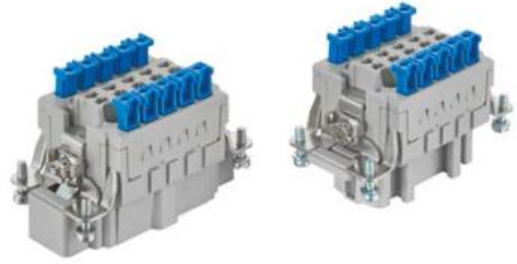


Panel cut out



Number of contacts

10 +



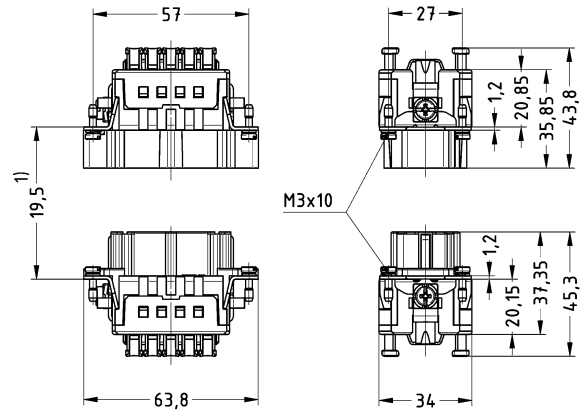
500 V 16 A

Identification	Part number		Drawing	Dimensions in mm
	Male insert (M)	Female insert (F)		

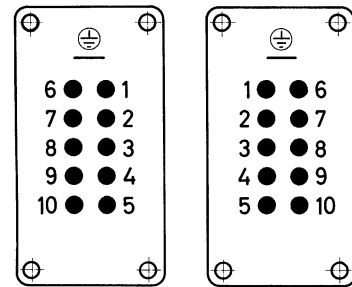
Han® 10 ES Press

09 33 010 2648

09 33 010 2748



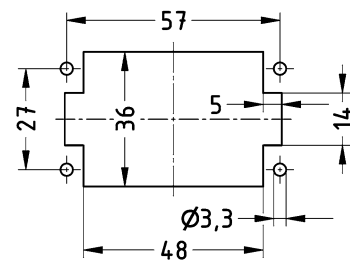
1) Distance for contacts max. 21 mm



M

F

Contact arrangement: view from termination side

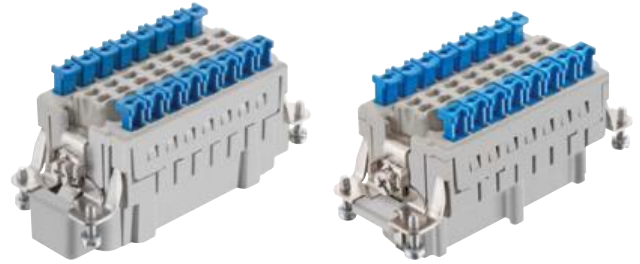


Panel cut out

Number of contacts

16 +

500 V 16 A

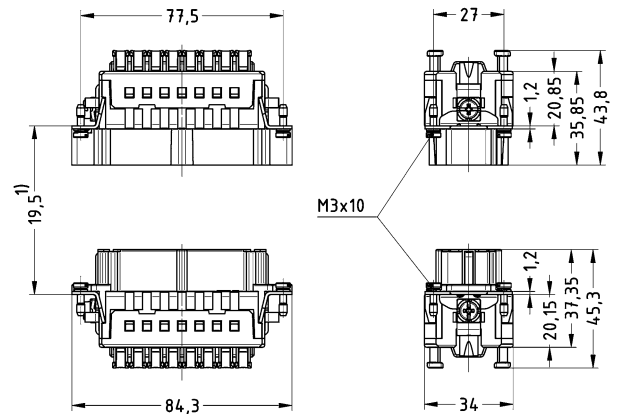
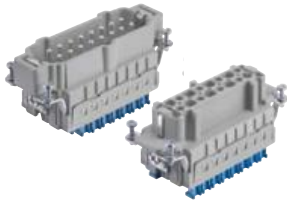


Identification	Part number		Drawing	Dimensions in mm
	Male insert (M)	Female insert (F)		

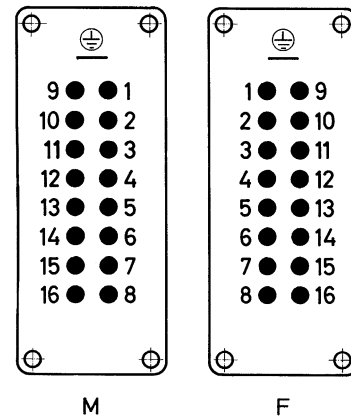
Han® 16 ES Press

09 33 016 2648

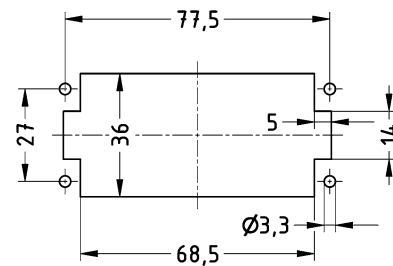
09 33 016 2748



1) Distance for contacts max. 21 mm



Contact arrangement: view from termination side



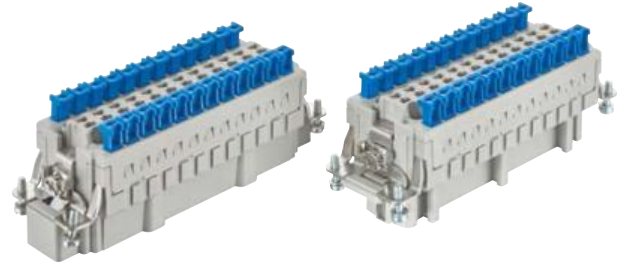
Panel cut out



Number of contacts

24 +

500 V 16 A

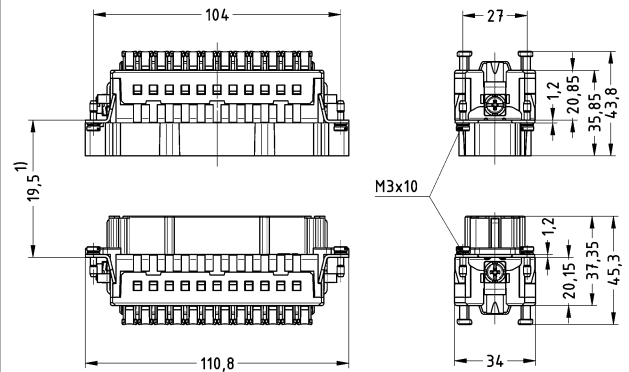
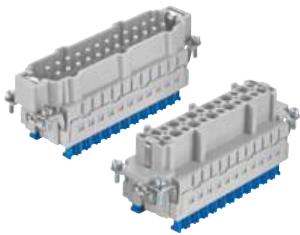


Identification	Part number		Drawing	Dimensions in mm
	Male insert (M)	Female insert (F)		

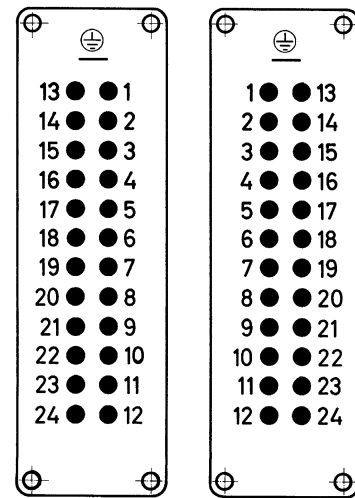
Han® 24 ES Press

09 33 024 2648

09 33 024 2748



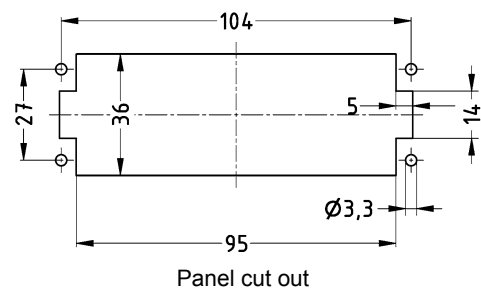
1) Distance for contacts max. 21 mm



M

F

Contact arrangement: view from termination side



Panel cut out



Identification

Part number

Drawing

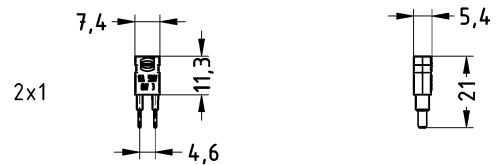
Dimensions in mm

Han® ES Press plug-in jumper



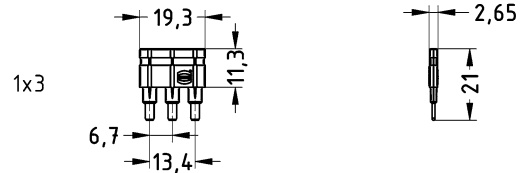
plug-in jumper 2 x 1 red
 plug-in jumper 2 x 1 blue
 plug-in jumper 2 x 1 black

09 33 000 9820
 09 33 000 9821
 09 33 000 9822



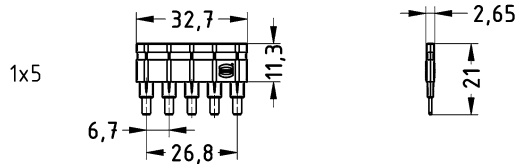
plug-in jumper 1 x 3 red
 plug-in jumper 1 x 3 blue
 plug-in jumper 1 x 3 black

09 33 000 9831
 09 33 000 9842
 09 33 000 9853



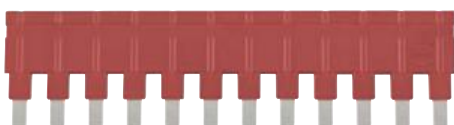
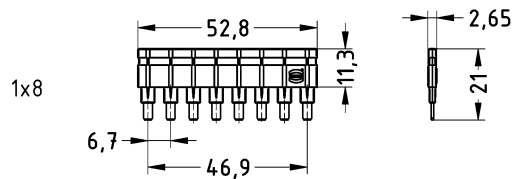
plug-in jumper 1 x 5 red
 plug-in jumper 1 x 5 blue
 plug-in jumper 1 x 5 black

09 33 000 9833
 09 33 000 9844
 09 33 000 9855



plug-in jumper 1 x 8 red
 plug-in jumper 1 x 8 blue
 plug-in jumper 1 x 8 black

09 33 000 9836
 09 33 000 9847
 09 33 000 9858



plug-in jumper 1 x 12 red
 plug-in jumper 1 x 12 blue
 plug-in jumper 1 x 12 black

09 33 000 9840
 09 33 000 9851
 09 33 000 9862

