

Spezifikation für Freigabe / specification for release

Kunde / customer :

Artikelnummer / part number :

7499210124A

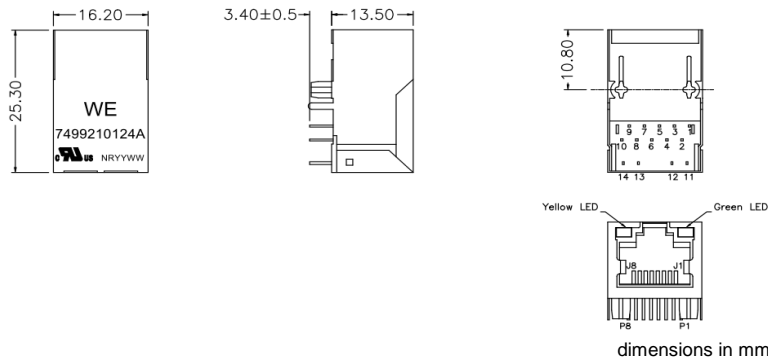


Bezeichnung : LAN-Übertrager WE-RJ45LAN 10/100BaseT PoE

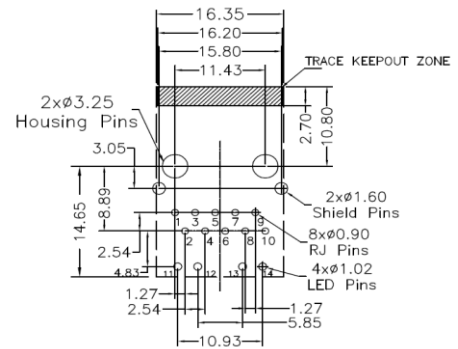
description : LAN-Transformer WE-RJ45LAN 10/100BaseT PoE

DATUM / DATE : 2020-04-15

A Mechanische Abmessungen / dimensions :



B Lötpad / soldering spec. :



C Elektrische Eigenschaften / electrical properties :

| Eigenschaften / properties | Testbedingungen / test conditions | | Wert / value | Einheit / unit | tol. |
|--------------------------------------|-----------------------------------|-----|--------------|----------------|------|
| Induktivität / Inductance | 100kHz / 100mV @ 8mA DC-Bias | OCL | 350 | µH | min. |
| Übersetzungsverhältnis / Turns ratio | 100kHz / 100mV | TR | 1 : 1 | Tx | 3% |
| | | | 1 : 1 | Rx | |
| Insertion Loss | 1-100MHz | IL | -1,0 | dB | max. |
| Return Loss | 1-30MHz @ 100Ω | RL | -18 | dB | min. |
| | 30-45MHz @ 100Ω | | -13,5 | | |
| | 45-60MHz @ 100Ω | | -12 | | |
| | 60-80MHz @ 100Ω | | -10 | | |
| Common Mode Rejection | 1-100MHz | CMR | -30 | dB | min. |
| Crosstalk | 1-100MHz | CT | -30 | dB | min. |

D Prüfgeräte / test equipment :

HP4395A

E Testbedingungen / test conditions :

Luftfeuchtigkeit / humidity: 33%
Umgebungstemperatur / temperature: +25°C

F Werkstoffe & Zulassungen / material & approvals :

| | |
|-----------------------------------|--|
| Basismaterial / base material: | Ferrit/ ferrite |
| Draht / wire: | 0UEW 155°C |
| Kontaktmaterial/ contact plating: | 100% tin w. nickel underplating 30µ" gold plating on contact area |
| Gehäuse / housing | Thermoplastic UL-94V0 |
| LED | 1,8-2,8 V/ 20mA |
| Shield | 50µ" nickel over 0.01" cooper alloy |

G Eigenschaften / general specifications :

Betriebstemp. / operating temperature: -40°C - + 85°C
Hochspannungsprüfung / Hipot test: 1500Vrms 1min.
Stromtragfähigkeit / Current capability: 350mA
Geeignet für PoE-Anwendungen gemäß IEEE 802.3af /
Compliant with IEEE 802.3af for PoE-Applications

Freigabe erteilt / general release:

Kunde / customer

Datum / date

Unterschrift / signature

Würth Elektronik

Geprüft / checked

Kontrolliert / approved

| | | | |
|------|-------------------------|--------------|--|
| | | | |
| Mle | Rev 03 | 2020-04-09 | |
| Mle | Rev 02 | 2013-06-26 | |
| Mle | Rev 01 | 2013-06-11 | |
| KSC | Rev 00 | 2010-08-04 | |
| Name | Änderung / modification | Datum / date | |

Würth Elektronik eiSos GmbH & Co.KG

D-74638 Waldenburg · Max-Eyth-Straße 1 - 3 · Germany · Telefon (+49) (0) 7942 - 945 - 0 · Telefax (+49) (0) 7942 - 945 - 400
http://www.we-online.com

Spezifikation für Freigabe / specification for release

Kunde / customer :

Artikelnummer / part number :

7499210124A

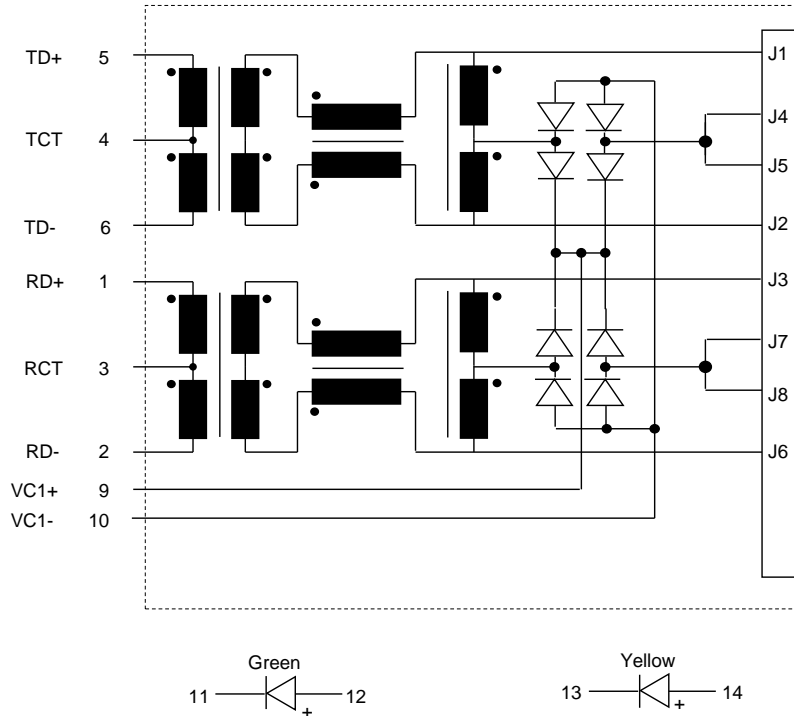


Bezeichnung : LAN-Übertrager WE-RJ45LAN 10/100BaseT PoE

description : LAN-Transformer WE-RJ45LAN 10/100BaseT PoE

DATUM / DATE : 2020-04-15

H Schaltbild / Schematics :



| | | | | |
|-------------------------------------|--------------------------|------|-------------------------|--------------|
| Freigabe erteilt / general release: | Kunde / customer | | | |
| | | | | |
| Datum / date | Unterschrift / signature | Mle | Rev 03 | 2020-04-09 |
| | Würth Elektronik | Mle | Rev 02 | 2013-06-26 |
| | | Mle | Rev 01 | 2013-06-11 |
| Geprüft / checked | Kontrolliert / approved | KSC | Rev 00 | 2010-08-04 |
| | | Name | Änderung / modification | Datum / date |

Würth Elektronik eiSos GmbH & Co.KG

D-74638 Waldenburg · Max-Eyth-Straße 1 - 3 · Germany · Telefon (+49) (0) 7942 - 945 - 0 · Telefax (+49) (0) 7942 - 945 - 400
<http://www.we-online.com>

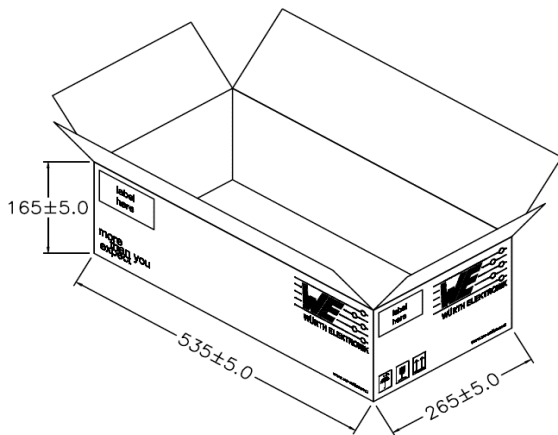
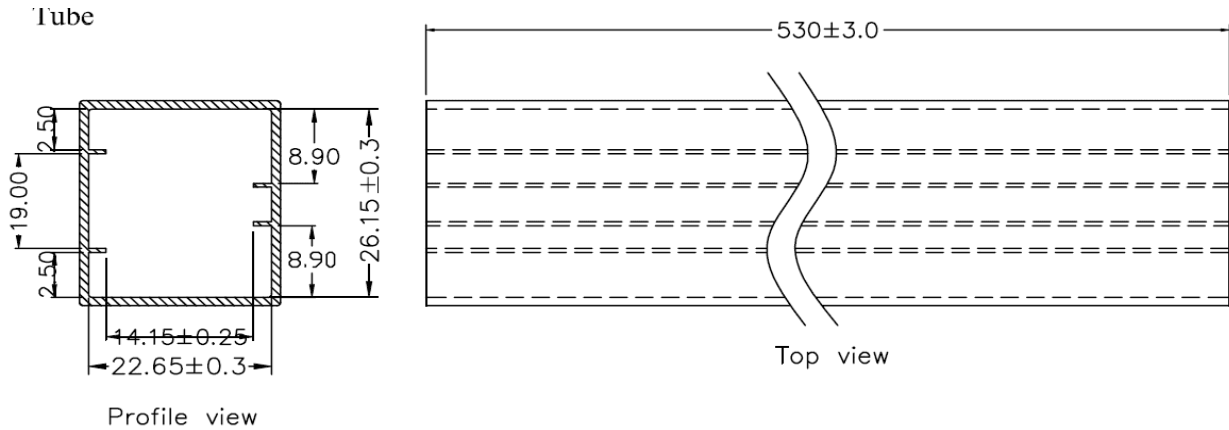
Spezifikation für Freigabe / specification for release

Kunde / customer :
 Artikelnummer / part number : **7499210124A**
 Bezeichnung : **LAN-Übertrager WE-RJ45LAN 10/100BaseT PoE**
 description : **LAN-Transformer WE-RJ45LAN 10/100BaseT PoE**



DATUM / DATE : 2020-04-15

I Verpackungsspezifikation / package specification :



Packing Quantity:

tube= 30pcs
 carton= 1620pcs

dimensions in mm

| | | | | |
|-------------------------------------|--------------------------|------|-------------------------|--------------|
| Freigabe erteilt / general release: | Kunde / customer | | | |
| | | | | |
| Datum / date | Unterschrift / signature | Mle | Rev 03 | 2020-04-09 |
| | Würth Elektronik | Mle | Rev 02 | 2013-06-26 |
| | | Mle | Rev 01 | 2013-06-11 |
| Geprüft / checked | Kontrolliert / approved | KSC | Rev 00 | 2010-08-04 |
| | | Name | Änderung / modification | Datum / date |

This electronic component has been designed and developed for usage in general electronic equipment. Before incorporating this component into any equipment where higher safety and reliability is especially required or if there is the possibility of direct damage or injury to human body, for example in the range of aerospace, aviation, nuclear control, submarine, transportation, (automotive control, train control, ship control), transportation signal, disaster prevention, medical, public information network etc, Würth Elektronik eiSos GmbH must be informed before the design-in stage. In addition, sufficient reliability evaluation checks for safety must be performed on every electronic component which is used in electrical circuits that require high safety and reliability functions or performance.

Würth Elektronik eiSos GmbH & Co.KG

D-74638 Waldenburg · Max-Eyth-Straße 1 - 3 · Germany · Telefon (+49) (0) 7942 - 945 - 0 · Telefax (+49) (0) 7942 - 945 - 400
<http://www.we-online.com>