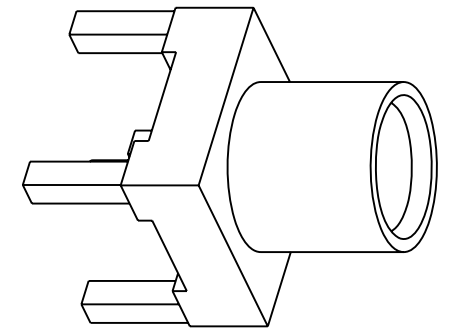
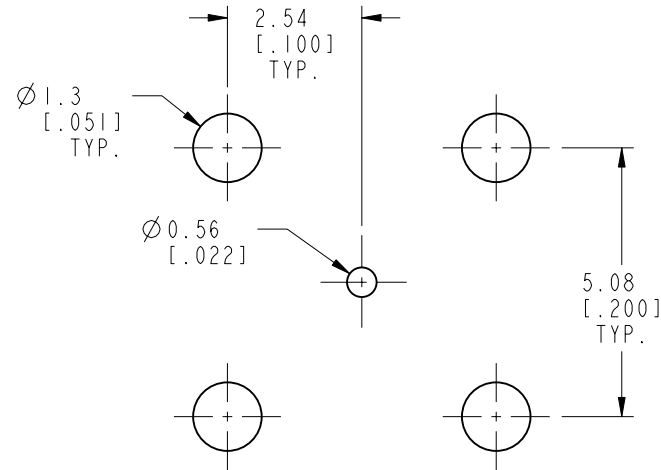


NOTES:

1. MATERIALS AND FINISHES:
 BODY - BRASS, GOLD PLATING
 CONTACT - BERYLLIUM COPPER, GOLD PLATING
 INSULATOR - PTFE
2. ELECTRICAL:
 A. IMPEDANCE: 75 OHM
 B. FREQUENCY RANGE: DC-12 GHz
 C. VSWR(RETURN LOSS): 1.22 (20 dB) MAX. @ DC - 6 GHz
 1.43 (15 dB) MAX. @ 6 - 12 GHz
 D. DIELECTRIC WITHSTANDING VOLTAGE: 500 VRMS, MIN.
3. MECHANICAL:
 A. DURABILITY: 500 CYCLES MIN.
 B. TEMPERATURE RANGE: -65°C TO +165°C
4. PACKAGING:
 A. QUANTITY: SINGLE PACK
 B. MARKING: PACKAGING TO BE MARKED
 "AMPHENOL RF, 919-422J-71PI2G, DATE CODE"

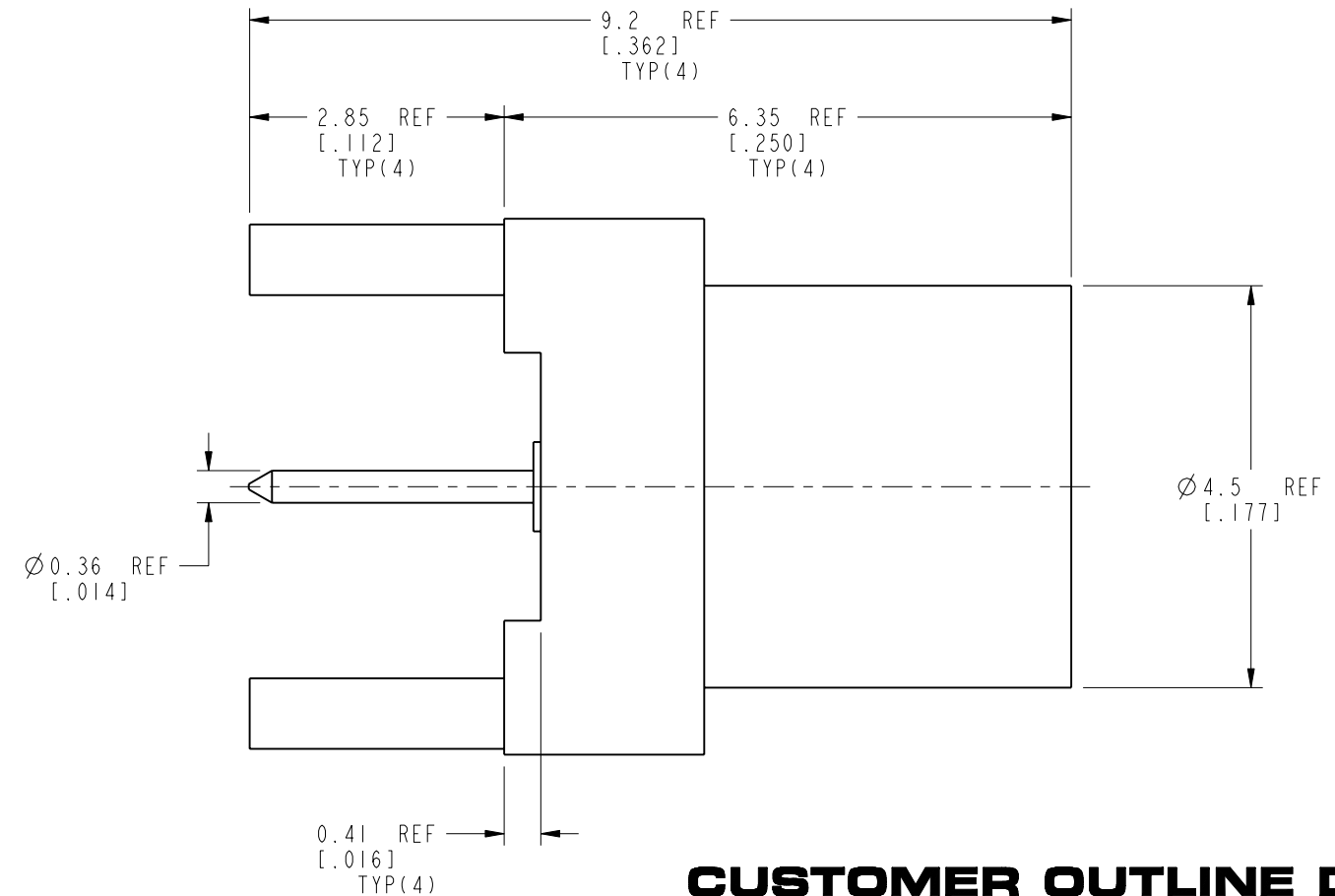
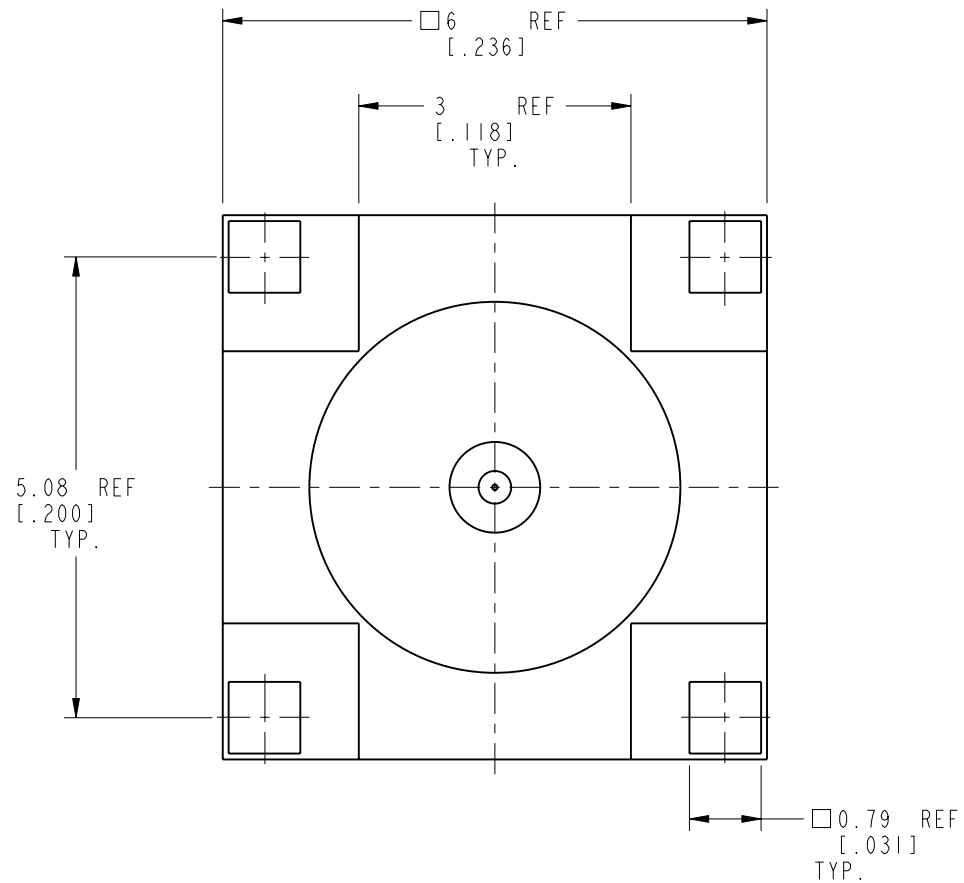
THIRD ANGLE PROJ.

REVISIONS				
REV	DESCRIPTION	DATE	ECN	APPR
A	RELEASE TO MFG.	20-Jun-19	11942	EH



SCALE 5.000

RECOMMENDED MOUNTING HOLE DIMENSIONS



CUSTOMER OUTLINE DRAWING
 ALL OTHER SHEETS ARE FOR INTERNAL USE ONLY

UNLESS OTHERWISE SPECIFIED, DIMENSIONS ARE IN METRIC AND TOLERANCES ARE: <0.5mm ±0.05mm 0.5 - 6mm ±0.1mm 6 - 30mm ±0.2mm 30 - 120mm ±0.3mm ANGLES ±1°	MATERIAL SEE NOTES	DRAWN W.ZENG	DATE 22-Jun-19	TITLE 75 OHM MCX JACK, THROUGH HOLE, FOR .093" PCB		Amphenol RF www.amphenolrf.com	
	REFERENCE EAR# 8605 REF: 919-415J-71PI2G	ENGINEER S.DUAN	DATE 2-Jul-19				
NOTICE - These drawings, specifications, or other data (1) are, and remain the property of Amphenol corp. (2) must be returned upon request; and (3) are confidential and not to be disclosed to any person other than those to whom they are given by Amphenol Corp. the furnishing of these drawings, specifications, or other data by Amphenol Corp., or to any other person to anyone for any purpose is not to be regarded by implication or otherwise in any manner licensing, granting rights to permitting such holder or any other person to manufacture, use or sell any product, process or design, patented or otherwise, that may in any way be related to or disclosed by said drawings, specifications, or other data.	CONFIGURATION LEVEL: In Work	APPROVED S.HSIEH	DATE 2-Jul-19	SCALE: 12.0:1.0	SHEET 2 OF 2	ITEM NO. 919-422J-71PI2G	PART NO. 919-422J-71PI2G
	FINISH	CAD FILE	DWG SIZE B	REV A			