



NVENT CADDY SPEED LINK SLS WITH HOOK, 3 MM WIRE, 32.8' LENGTH

CATALOG NUMBER

SLS3L10



CERTIFICATIONS



FEATURES

Complete system includes wire, locking device and pre-assembled hook end fitting

Hooks to a wide range of nVent CADDY fasteners

Fastens to the building structure or hanging services by looping around and hooking to wire rope

Easy to remove for applications requiring maintenance

Spring latch helps provide secure connection

Insert cable through hole and use bottom side of hook as an end stop

Finger tightening of nut secures the locking device into position without tools

Installs in strut profiles without the need to insert fingers or tools into the strut

PRODUCT ATTRIBUTES

Article Number: 196752

Material: Steel;Zinc Alloy;Polypropylene

Finish: Electrogalvanized

Static Load Safety Factor: 5:1

Complies With: SMACNA HVAC-DCS

Wire Rope Diameter: 3 mm

Wire Rope Length: 10 m

A: 57.60 mm

B: 23.2 mm

C: 6.1 mm

Height 1: 53 mm

Height 2: 46.5 mm

Thread Size: M12

Width: 20 mm

Hole Size: 12 – 14 mm

Slot Size: 12 x 10 mm - 12 x 14 mm

Thickness: 6 mm Max

Static Load: 670 N

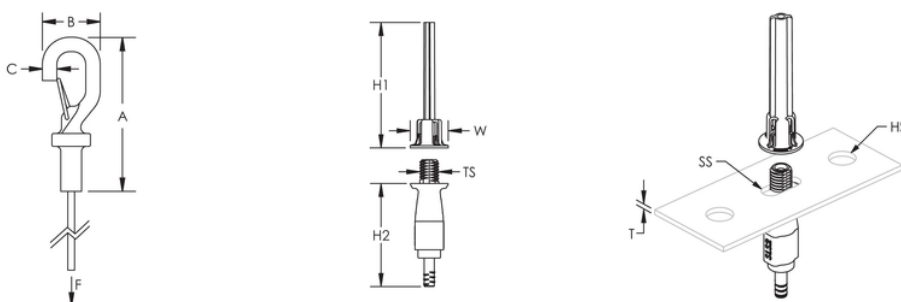
ADDITIONAL PRODUCT DETAILS

The 2 mm locking device is compatible with C-Channel Types E0 and E0L.

The 3 mm locking device is compatible with C-Channel Types E1, E2, E2L, E3, E4, E5, Strut Channel Type C, Slotted, Strut Channel Type A, Slotted, Strut Channel Type AS, Perforated, Strut Channel Type CC, Slotted, Strut Channel Type AA, Slotted.

Total load per wire on a multi-tier trapeze must not exceed static load.

DIAGRAMS



WARNING

nVent products shall be installed and used only as indicated in nVent's product instruction sheets and training materials. Instruction sheets are available at www.nvent.com and from your nVent customer service representative. Improper installation, misuse, misapplication or other failure to completely follow nVent's instructions and warnings may cause product malfunction, property damage, serious bodily injury and death and/or void your warranty.

Noord-Amerika

+1.800.753.9221

Optie 1 - de Zorg van de Klant

Optie 2 - Technische Steun

Europa

Nederland:

+31 800-0200135

Frankrijk:

+33 800 901 793

Europa

Duitsland:

800 1890272

Andere Landen:

+31 13 5835404

APAC

Shanghai:

+ 86 21 2412 1618/19

Sydney:

+61 2 9751 8500



Onze krachtige portefeuille van merken:
nVent.com **CADDY ERICO HOFFMAN RAYCHEM SCHROFF TRACER**

© nVent 2022. Alle nVent tekens en emblemen worden bezeten of door de nVent Diensten GmbH of zijn filialen vergunning gegeven. Alle andere handelsmerken zijn het bezit van hun respectieve eigenaars.

nVent reserves het recht specificaties zonder bericht te veranderen.