

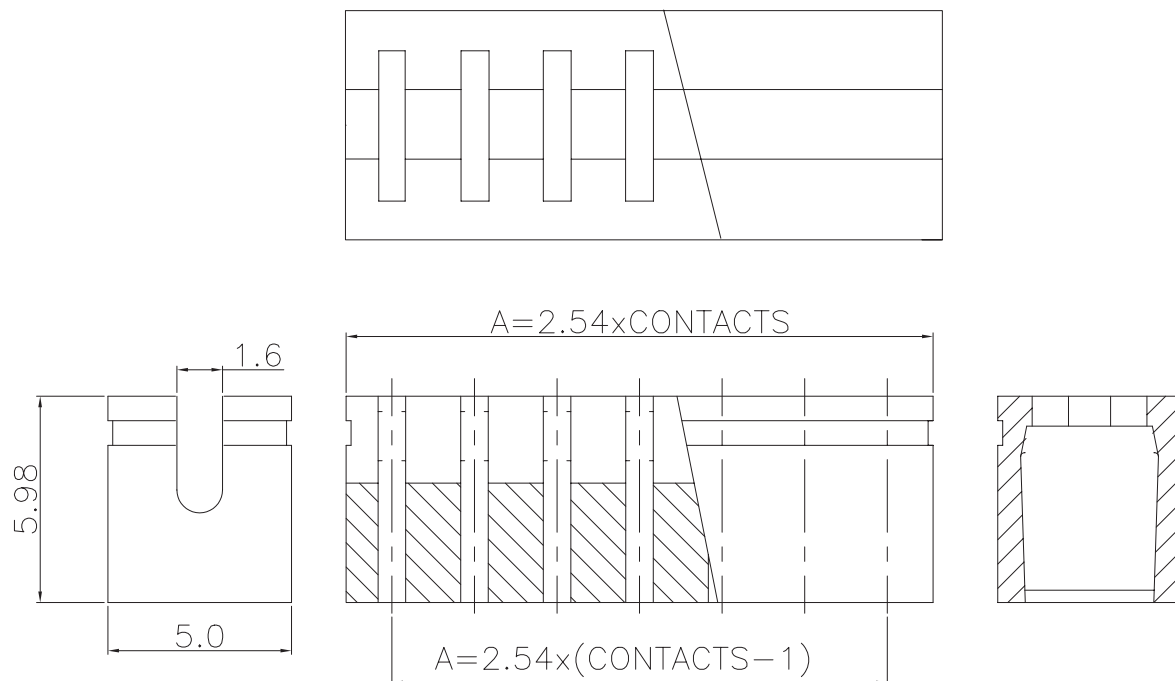
1

2

3

4

5



#### TECHNICAL CHARACTERISTICS

**MATERIAL**  
 INSULATOR: PBT  
 COLOR: BLACK  
 CONTACT MATERIAL: COPPER ALLOY  
 CONTACT TYPE: STAMPED  
 CONTACT PLATING: GOLD  
 QUALITY CLASS: 3 AS PER CECC 75 301-802  
 PITCH: 2.54MM

**ENVIRONMENTAL**  
 OPERATING TEMPERATURE: -40 UP TO 125°C  
 FLAMABILITY RATING: UL94-V0  
 COMPLIANCE: LEAD FREE AND ROHS

**ELECTRICAL**  
 CURRENT RATING: 3A  
 WORKING VOLTAGE: 250V AC  
 INSULATOR RESISTANCE: >1000 MOHM  
 DIELECTRIC WITHSTANDING VOLTAGE: 650V AC/MN  
 CONTACT RESISTANCE: 30 mOHM MAX

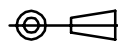
**PACKAGING**  
 BAG

#### DIMENSIONS

NB. CIRCUIT	A	B
2	2.54	5.08
3	5.08	7.62
4	7.62	10.16
5	10.16	12.70
6	12.70	15.24
7	15.24	17.78
8	17.78	20.32
9	20.32	22.86
10	22.86	25.40
13	30.48	33.02

RoHS Compliant

PROJECTION:



GENERAL TOLERANCE

.X = +/- 0.2

.XX = +/- 0.15



APPROVAL: RJ

UNIT: MM

DESCRIPTION: 2.54MM JUMPER WITH TEST POINT

SIZE

SCALE:

WERI PART NO: 609 1xx 134 21

**A4**

SHEET: 1/1

DRAW: CEL KING

G			
F			
E			
D			
C			
B			
A	17-DEC-07	PDF	CH
REV	DATE	FILE	BY