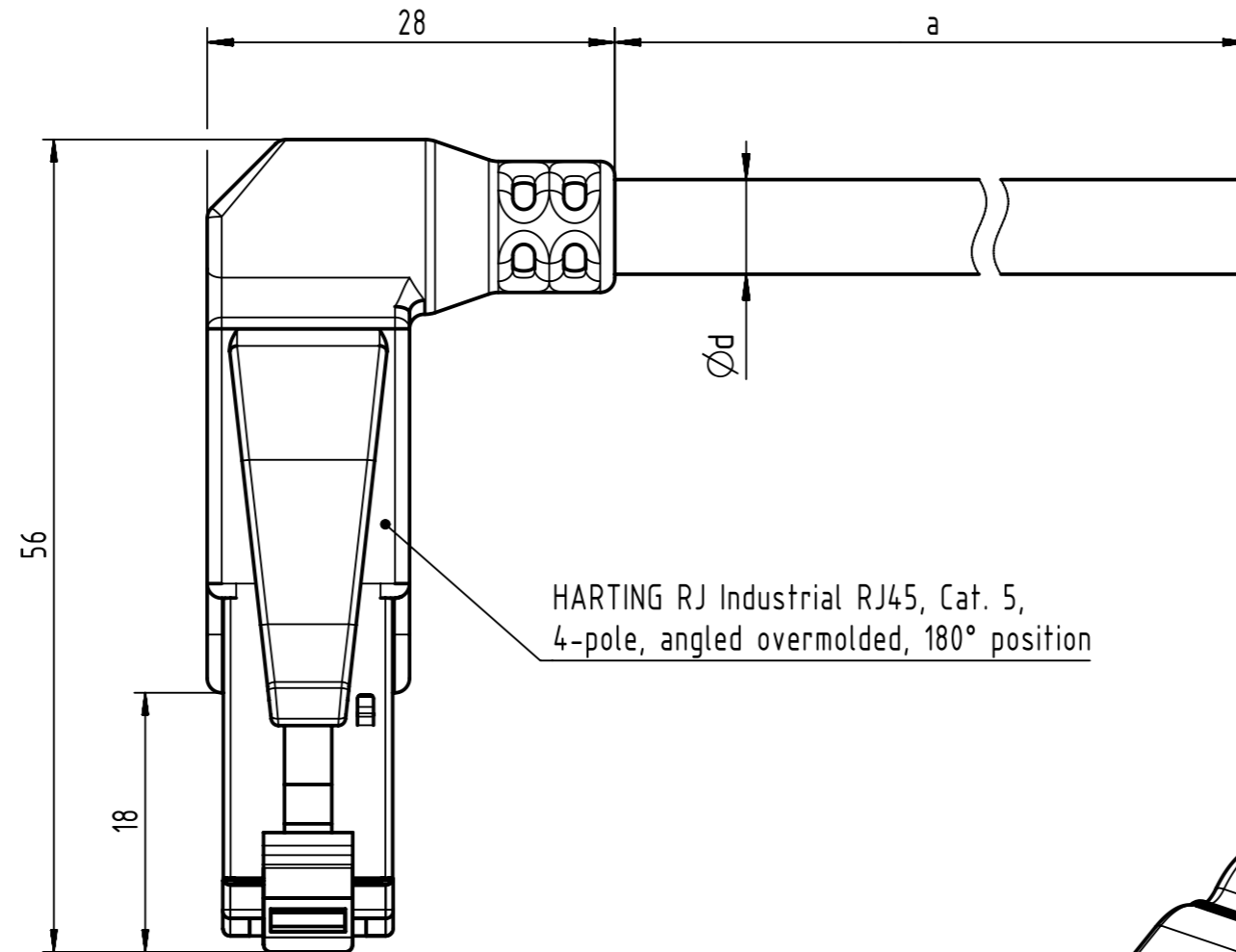


Connector Location A

Connector Location B

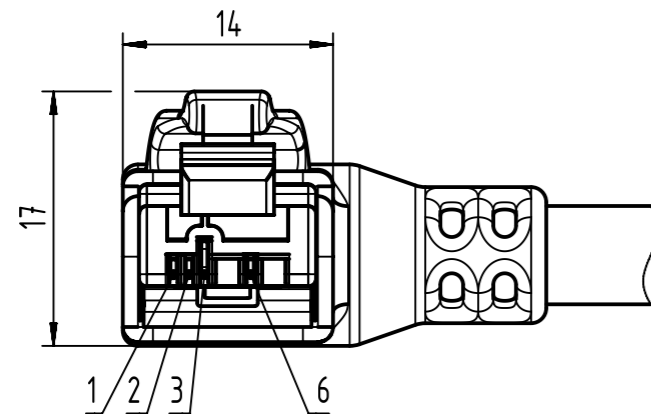
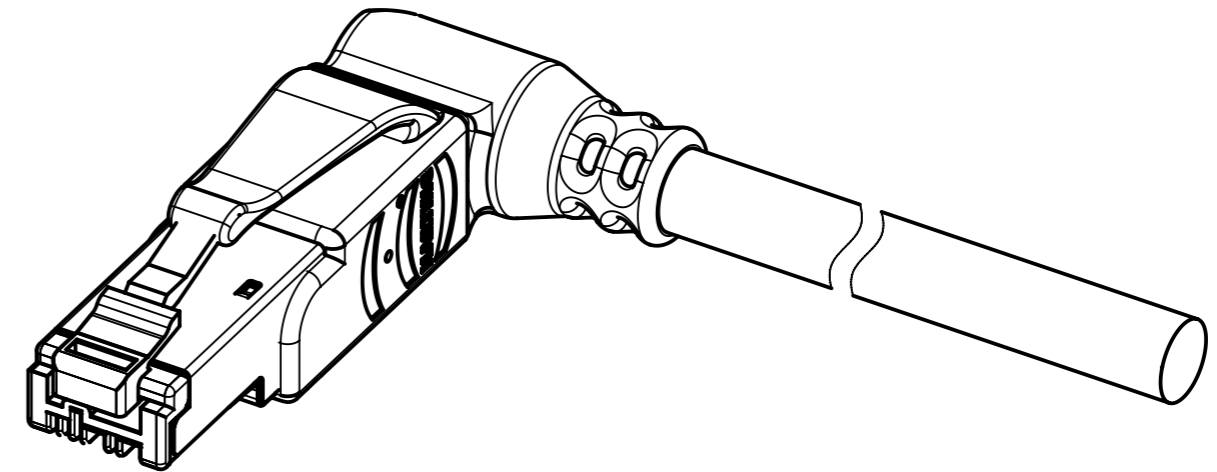


HARTING RJ Industrial RJ45, Cat. 5,
4-pole, angled overmolded, 180° position

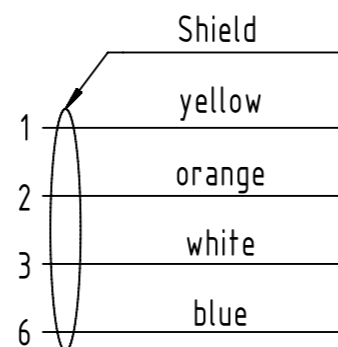
Mating face RJ45 acc. to IEC 60603-7



X
male



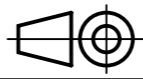

Loading Plan



- Protection level: IP20
- Temperature range: -40°C ... +70°C

	All rights reserved Department HCS - RO	Created by BANCIUD Banciu	Inspected by COSTEA Costea	Standardisation MUNTEANV Muntean	Date 2019-08-08	State Final Release	Doc-Key / ECM-Nr. 100081066/UGD/014/F 500000156257
HARTING Customised Solutions D-32339 Espelkamp		Title RJ Industrial Cable Assembly		Type TB	Number 094705000XX	Rev. F	Page 1/2

1	2	3	4	5	6	7	8
52	09470500052	RJI Ethernet Trailing Cable, 4xAWG 22/7, PUR, Cat. 5+, green	Ø6.5	6	RJI Ethernet Stranded Cable, 4xAWG 22/7, PVC, Cat. 5+, green	Ø6.5	6
51	09470500051			5			
50	09470500050			4			
49	09470500049			3			
48	09470500048			2			
47	09470500047			1.5			
46	09470500046			1			
45	09470500045			0.5			
44	09470500044			100			
43	09470500043			90			
42	09470500042	80					
41	09470500041	70					
40	09470500040	60					
39	09470500039	50					
38	09470500038	40					
37	09470500037	30					
36	09470500036	20					
35	09470500035	15					
34	09470500034	10					
33	09470500033	9					
32	09470500032	8					
31	09470500031	7					
30	09470500030	6					
29	09470500029	5					
28	09470500028	4					
27	09470500027	3					
26	09470500026	2					
25	09470500025	1.5					
24	09470500024	1					
23	09470500023	0.5					
22	09470500022	100					
21	09470500021	90					
20	09470500020	80					
19	09470500019	70					
18	09470500018	60					
17	09470500017	50					
16	09470500016	40					
15	09470500015	30					
14	09470500014	20					
13	09470500013	15					
12	09470500012	10					
11	09470500011	9					
10	09470500010	8					
9	09470500009	7					
8	09470500008	6					
7	09470500007	5					
6	09470500006	4					
5	09470500005	3					
4	09470500004	2					
3	09470500003	1.5					
2	09470500002	1					
1	09470500001	0.5					
Cont. no.	Part no.	Type of cable	Dim. d [mm]	Dim. a [m]			

89	09470500089	RJI Ha-VIS EtherRail Flexible Data Cable, 4xAWG 22/7, Cat. 5/5e, black	Ø6.6	1.5			
88	09470500088	RJI Ethernet Stranded Cable, 4xAWG 22/7, PVC outdoor, Cat. 5+, black	Ø6.5	100			
87	09470500087			90			
86	09470500086			80			
85	09470500085			70			
84	09470500084			60			
83	09470500083			50			
82	09470500082			40			
81	09470500081			30			
80	09470500080			20			
79	09470500079			15			
78	09470500078	10					
77	09470500077	9					
76	09470500076	8					
75	09470500075	7					
74	09470500074	6					
73	09470500073	5					
72	09470500072	4					
71	09470500071	3					
70	09470500070	2					
69	09470500069	1.5					
68	09470500068	1					
67	09470500067	0.5					
66	09470500066	RJI Ethernet Trailing Cable, 4xAWG 22/7, PUR, Cat. 5+, green	Ø6.5	100			
65	09470500065			90			
64	09470500064			80			
63	09470500063			70			
62	09470500062			60			
61	09470500061			50			
60	09470500060			40			
59	09470500059			30			
58	09470500058			20			
57	09470500057			15			
56	09470500056	10					
55	09470500055	9					
54	09470500054	8					
53	09470500053	7					
Cont. no.	Part no.	Type of cable	Dim. d [mm]	Dim. a [m]			
			All Dimensions in mm	Tech. Character.	Free size tol.	According to production drawing	
		All rights reserved	Created by BANIUD Banciu	Inspected by COSTEA Costea	Standardisation MUNTEANV Muntean	Date 2019-08-08	State Final Release
Department HCS - RO		Title RJ Industrial Cable Assembly		Doc-Key / ECM-Nr. 100081066/UGD/014/F 500000156257		Rev. F Page 2/2	
HARTING Customised Solutions D-32339 Espelkamp		Type TB	Number 094705000XX				