



CE

### Model Number

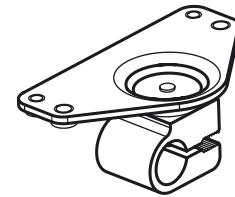
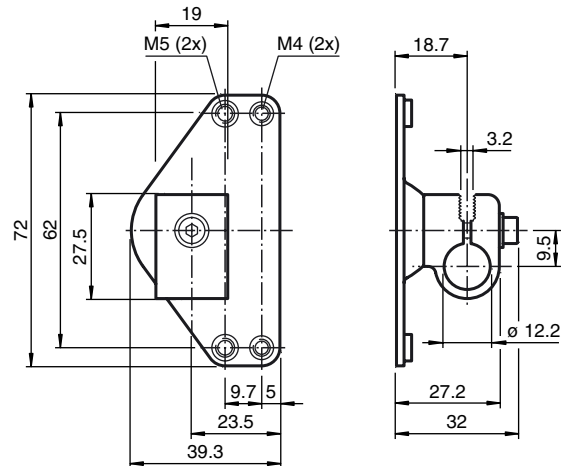
**OMH-05**

Mounting aid for round steel  $\varnothing$  12 mm or sheet 1.5 mm ... 3 mm

### Features

- Bracket for round steel or sheet

### Dimensions



### Technical data

#### Mechanical specifications

Material	Metal sheet (steel), zinc plated aluminium
Mass	approx. 50 g

#### Suitable series

Series	RL23 RL28 RL29 RL30 RL32
Safety Series	SLA28 SL29, SLA29
Reflector series	H75 reflector