

**Industrial USB IP67**

TE Internal #: 2058365-1

Industrial USB IP67, USB Connectors, A, 2.0, Standard Profile,  
Receptacle, 1 Port, Cable Mount, Straight, Box, IP67, None PCB  
Mount Retention Type

[View on TE.com >](#)

Connectors &gt; Audio &amp; Video Connectors &gt; USB Connectors

USB Connector Type: **A**USB Version: **2.0**Connector Profile: **Standard**Connector & Housing Type: **Receptacle**Number of Ports: **1****Features****Product Type Features**

USB Connector Type	A
USB Version	2.0
Connector & Housing Type	Receptacle
Connector System	Wire-to-Wire
Sealable	Yes
Connector & Contact Terminates To	Wire & Cable
Product Type	Connector
LED	Without

**Configuration Features**

Number of Ports	1
Number of Positions	4

**Body Features**

Connector Profile	Standard
Shell Plating Material	Tin over Nickel

**Contact Features**

Contact Current Rating (Max)	1.5 A
Contact Mating Area Plating Material	Gold
Contact Mating Area Plating Thickness	.76 $\mu$ m[29.92 $\mu$ in]



### Mechanical Attachment

Locking Feature	With
PCB Mount Location	Cable Mount
PCB Mount Retention Type	None
Connector Mounting Type	Cable Mount (Free-Hanging)

### Housing Features

Body Orientation	Straight
Housing Material	Zinc Diecast
Housing Color	Black

### Usage Conditions

Soldering Temperature (Max)	350 °C[662 °F]
Operating Temperature Range	-55 – 85 °C[-67 – 185 °F]

### Operation/Application

Assembly Process Feature	None
Circuit Application	Power, Signal & Data

### Industry Standards

Industry Standard	USB 2.0
Degree of Protection	IP67

### Packaging Features

Packaging Method	Box
Packaging Quantity	65

### Other

Comment	Circular Coupling, Panel Mount, Sealed
---------	--

### Product Compliance

[For compliance documentation, visit the product page on TE.com>](#)

EU RoHS Directive 2011/65/EU	Compliant
EU ELV Directive 2000/53/EC	Not Yet Reviewed
China RoHS 2 Directive MIIT Order No 32, 2016	No Restricted Materials Above Threshold
EU REACH Regulation (EC) No. 1907/2006	Current ECHA Candidate List: JAN 2021 (211) Candidate List Declared Against: JUN 2018 (191)



SVHC > Threshold:  
Not Yet Reviewed

Halogen Content	Low Halogen - Br, Cl, F, I < 900 ppm per homogenous material. Also BFR/CFR/PVC Free
Solder Process Capability	Not applicable for solder process capability

Product Compliance Disclaimer

This information is provided based on reasonable inquiry of our suppliers and represents our current actual knowledge based on the information they provided. This information is subject to change. The part numbers that TE has identified as EU RoHS compliant have a maximum concentration of 0.1% by weight in homogenous materials for lead, hexavalent chromium, mercury, PBB, PBDE, DBP, BBP, DEHP, DIBP, and 0.01% for cadmium, or qualify for an exemption to these limits as defined in the Annexes of Directive 2011/65/EU (RoHS2). Finished electrical and electronic equipment products will be CE marked as required by Directive 2011/65/EU. Components may not be CE marked. Additionally, the part numbers that TE has identified as EU ELV compliant have a maximum concentration of 0.1% by weight in homogenous materials for lead, hexavalent chromium, and mercury, and 0.01% for cadmium, or qualify for an exemption to these limits as defined in the Annexes of Directive 2000/53/EC (ELV). Regarding the REACH Regulation, the information TE provides on SVHC in articles for this part number is based on the latest European Chemicals Agency (ECHA) 'Guidance on requirements for substances in articles' posted at this URL: <https://echa.europa.eu/guidance-documents/guidance-on-reach>

### Compatible Parts



### Also in the Series | Industrial USB IP67



### Customers Also Bought



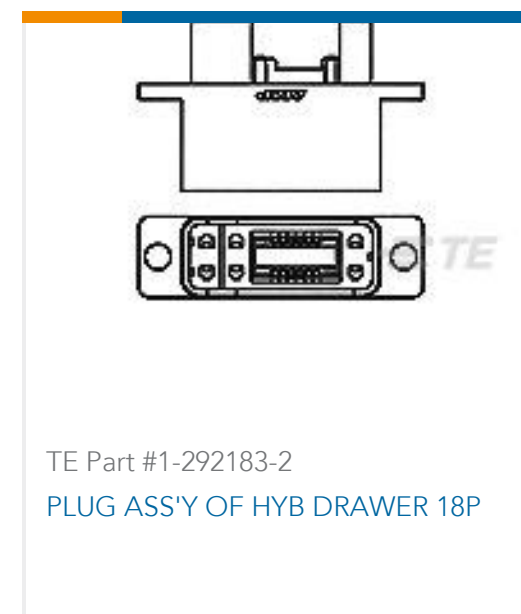
TE Part #179227-1  
AMP COMMON TERMINATION CONTACTS



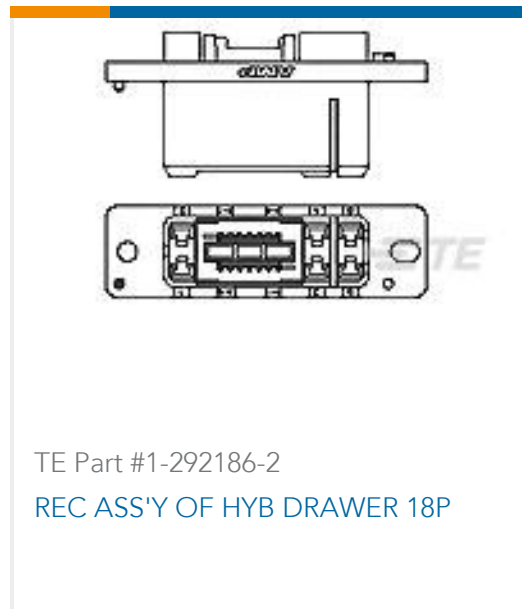
TE Part #T4171220008-001  
M12 Panel Mount Wire



TE Part #1-179472-2  
HOLDER FOR CT D/ROW CRIMP 12P



TE Part #1-292183-2  
PLUG ASS'Y OF HYB DRAWER 18P



TE Part #1-292186-2  
REC ASS'Y OF HYB DRAWER 18P



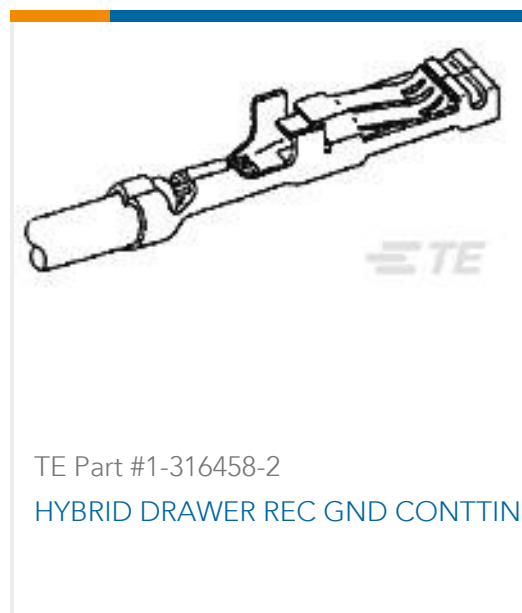
TE Part #1-179316-2  
HYBRID MINI DRAWER REC CONT.



TE Part #1676276-2  
RN 0805 287R 0.1% 10PPM 1KRL



TE Part #10214064-00  
Pressure Transducers Readily Available



TE Part #1-316458-2  
HYBRID DRAWER REC GND CONTTIN



TE Part #1-179321-2  
HYBRID MINI DRWER TAB CONT.

## Documents

### Product Drawings

[Recpt Kit, Series B to A](#)

English

### CAD Files

[3D PDF](#)

3D

Customer View Model

[ENG\\_CVM\\_CVM\\_2058365-1\\_A\\_c-2058365-1-a.2d\\_dxf.zip](#)

English

Customer View Model

[ENG\\_CVM\\_CVM\\_2058365-1\\_A\\_c-2058365-1-a.3d\\_igs.zip](#)

English

Customer View Model

[ENG\\_CVM\\_CVM\\_2058365-1\\_A\\_c-2058365-1-a.3d\\_stp.zip](#)

English

By downloading the CAD file I accept and agree to the [Terms and Conditions](#) of use.

### Datasheets & Catalog Pages



## CONNECTIVITY SOLUTIONS FOR INFOTAINMENT APPLICATIONS

English

[1-1773463-4\\_INDUSTRIAL\\_USB\\_CONNECTORS](#)

English

---

### Product Specifications

[Application Specification](#)

English

---

### Instruction Sheets

[Instruction Sheet \(U.S.\)](#)

English