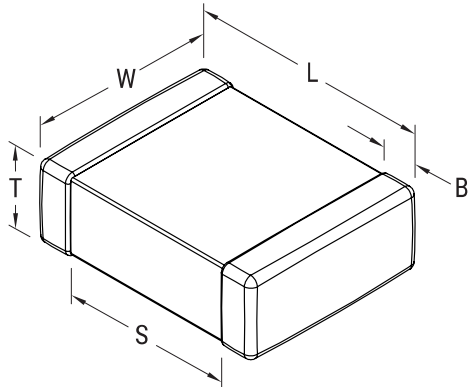


CAS SMD SFTY 250, Ceramic, 1000 pF, 10%, X7R, Industrial Grade, Safety MLCC, X1/Y2, 2211



Dimensions

Chip Size	2211
L	5.7mm +/-0.4mm
W	2.8mm +/-0.3mm
T	2.5mm +/-0.3mm
S	4mm MIN
B	0.6mm +/-0.3mm

Packaging Specifications

Packaging:	T&R
Packaging Quantity:	500

General Information

Series:	CAS SMD SFTY 250
Style:	SMD Chip
Description:	Industrial Grade, Safety MLCC
RoHS:	Yes
Termination:	Tin
Safety Class:	X1/Y2
AEC-Q200:	No
Halogen Free:	Yes

Specifications

Capacitance:	1000 pF
Measurement Condition:	1 kHz 1.0Vrms
Capacitance Tolerance:	10%
Voltage AC:	250 VAC (X1), 250 VAC (Y2)
Temperature Range:	-55/+125°C
Temperature Coefficient:	X7R
Capacitance Change with Reference to +25°C and 0 VDC Applied (TCC):	15%, 1kHz 1.0Vrms
Dissipation Factor:	2.5% 1kHz 1.0Vrms
Insulation Resistance:	10 GOhms