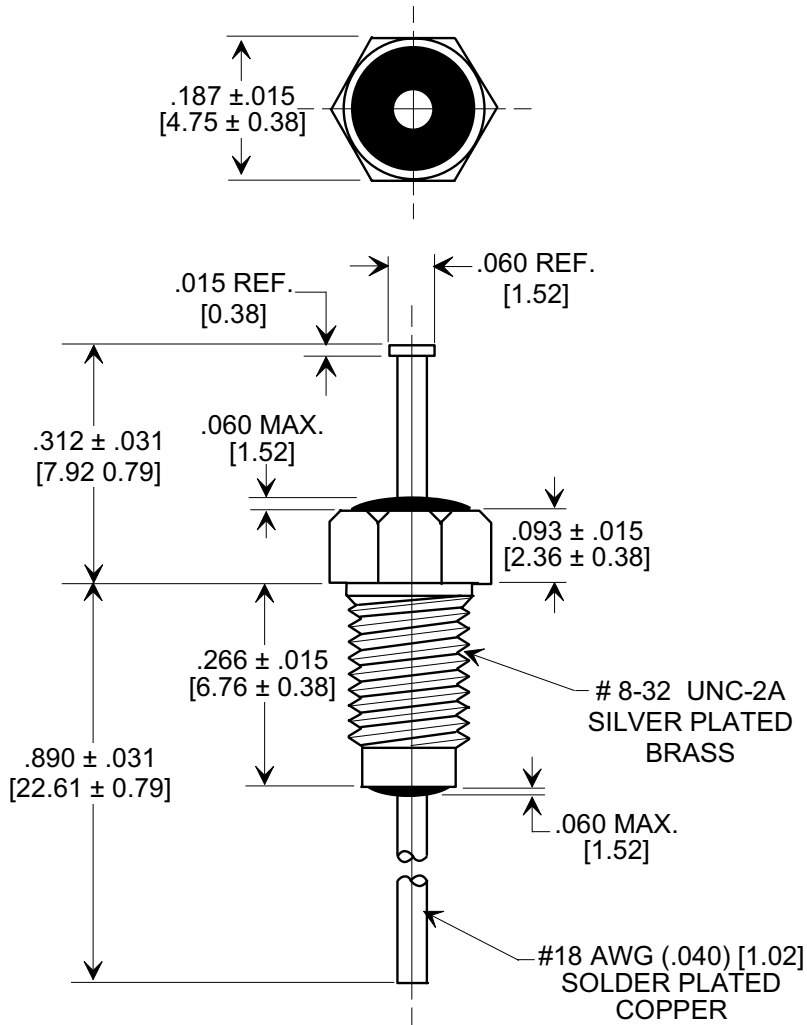
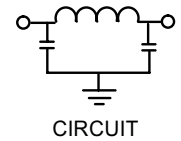
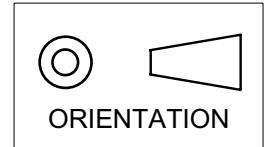


MARKETING SALES DRAWING

DIMENSIONS IN INCHES - DO NOT SCALE THIS DRAWING
DIMENSIONS IN METRIC - []

Electrical Testing
 per Tusonix standard
 test plans and Mil-Std-202
 Test Methods.



NOTE:
 1. SUPPLIED WITH SILVERPLATED
 HEX NUT AND SPLIT RING LOCKWASHER.

5500	200	100	15 A	10 G Ω	400 VDC	14	55	65	65
	85°C	125°C				10 MHz	100 MHz	1 GHz	10 GHz
MIN. CAP. (pF)	WORKING VOLTAGE (VVdc)		CURRENT (Idc)	I.R. MIN. @ 100 VDC	D.W.V.	MINIMUM NO LOAD INSERTION LOSS (dB) AT 25°C PER MIL-STD -220			

X-2015 Rev-0

REVISION RECORD	0
Original Release C.O. 19980310-7-01	
DIM'S IN METRIC & SYMBOL ORIENTATION & CIRCUIT SYMBOL ADDED L.E. 04-16-03	
20030414-3-02	1

--TOLERANCES-- Unless Otherwise Specified		Title BUSHING MOUNT PI TYPE EMI FILTER	
DECIMAL ±		Drawn S.M. 03-11-98 Scale 4 X	
ANGLES ±		Approved H.R. 03-11-98	
TUSONIX TUCSON, ARIZONA		A	4201-053