

**MATERIAL**

Anodised aluminium, black colour.

**LEVER**

Anodized aluminum, yellow colour.

**PIN**

AISI 303 stainless steel.

**GRUB SCREW**

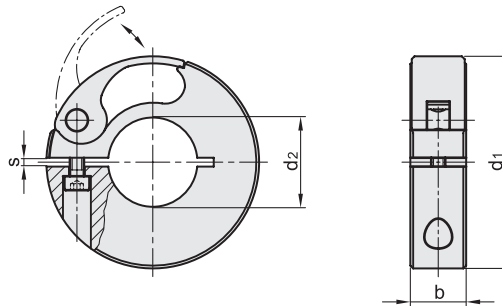
Stainless steel.

**FEATURES AND APPLICATIONS**

The quick release device allows the quick positioning of GN 704 with no need for tools, thanks to a cam lever.

**TECHNICAL DATA**

Assembly on h8 tolerance shaft.



Code	Description	d1	d2	b	s	Tightening torque [Nm]	Min static load. [N]	Max static load. [N]	
GN.30580	GN 704-38-B6	38	6	10	1.5	0.5	133	267	26
GN.30581	GN 704-38-B8	38	8	10	1.5	0.5	133	267	25
GN.30582	GN 704-38-B10	38	10	10	1.5	0.5	133	267	25
GN.30583	GN 704-38-B12	38	12	10	1.5	0.5	133	267	24
GN.30584	GN 704-38-B14	38	14	10	1.5	0.5	133	267	23
GN.30585	GN 704-38-B15	38	15	10	1.5	0.5	133	267	22
GN.30586	GN 704-38-B16	38	16	10	1.5	0.5	133	267	22
GN.30591	GN 704-50-B20	50	20	13	1.5	0.7	311	445	55
GN.30592	GN 704-50-B25	50	25	13	1.5	0.7	311	445	49
GN.30593	GN 704-50-B28	50	28	13	1.5	0.7	311	445	45
GN.30594	GN 704-50-B30	50	30	13	1.5	0.7	311	445	42
GN.30597	GN 704-75-B32	75	32	15	1.5	1.5	467	534	125
GN.30598	GN 704-75-B35	75	35	15	1.5	1.5	467	534	119
GN.30599	GN 704-75-B38	75	38	15	1.5	1.5	467	534	117
GN.30548	GN 704-100-B40	100	40	19	4.5	4.5	556	867	227
GN.30549	GN 704-100-B42	100	42	19	4.5	4.5	556	867	226
GN.30550	GN 704-100-B45	100	45	19	4.5	4.5	556	867	225
GN.30551	GN 704-100-B48	100	48	19	4.5	4.5	556	867	224
GN.30552	GN 704-100-B50	100	50	19	4.5	4.5	556	867	223
GN.30554	GN 704-120-B54	120	54	19	4.5	4.5	890	1379	340
GN.30555	GN 704-120-B55	120	55	19	4.5	4.5	890	1379	339
GN.30556	GN 704-120-B60	120	60	19	4.5	4.5	890	1379	337
GN.30557	GN 704-120-B65	120	65	19	4.5	4.5	890	1379	335
GN.30558	GN 704-120-B70	120	70	19	4.5	4.5	890	1379	333