



Fume Extraction Hoods and Cabinets

Capture, contain, filter and expel for a cleaner, healthier working environment within electronic design and rework, dental/medical labs, pharmaceutical labs, design and technology, science in education and more...

Applications include the filtration of fumes, vapour and particulates emanating from:

Spray adhesives, conformal coatings and paints, monomers, hazardous powders and particulates, resins, sealants, solders, light grinding particles, organic solvents and cleaners etc.

T660H-D and T930H-D

Extract Cabinets (All odours and gases are extracted to atmosphere)



Demonstrating adequate control of the risks to the health of employees, students and the general public, from dusts, powders, mists, fumes and vapours is the fundamental requirement of the Control of Substances Hazardous to Health (COSHH) regulations 2002 and 2004.



TechFlo Air Extraction Cabinets Model No's T660H-D and T930H-D

NOTE: These units exhaust air via flexi-duct to atmosphere

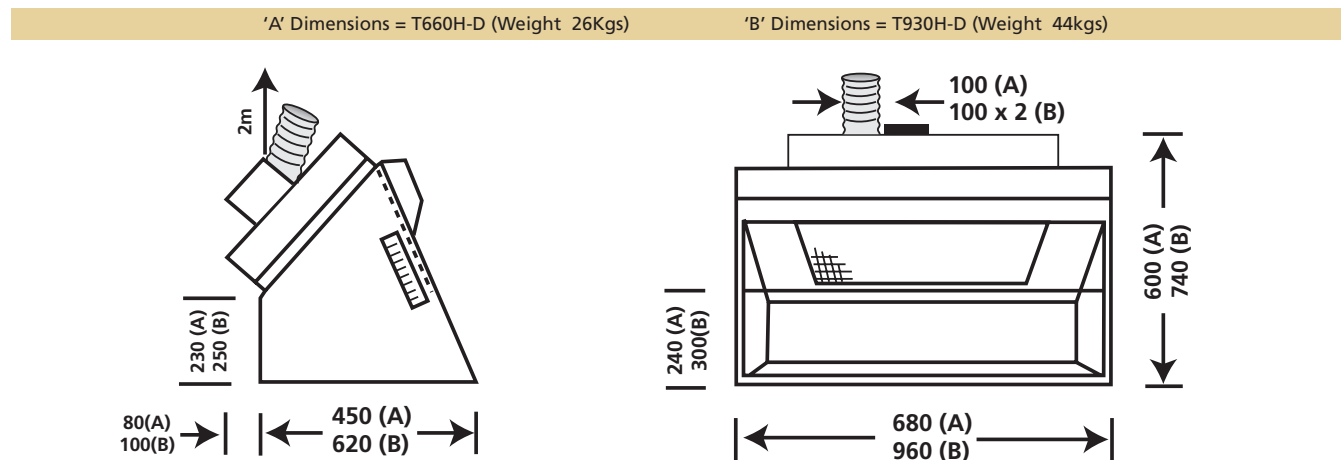
Description

Steel construction finished in dove grey – fan/filter unit mounted onto hood enclosure complete with clear polycarbonate panel and hood lighting - particulate filter – centrifugal blower(s) (T930H-D has 2 blowers), external rotor motor type, brushless, UL, VDE and CSA approved - sealed electrical wiring and switch, downstream of filter. Flexi-duct(s) 2 metres x 100mm dia. T930H-D has 2 ducts.

Operation

All WS filtration and extraction systems carry a lifetime warranty, are quiet in operation and can be assembled in seconds. Place onto a desk, bench or trolley and then simply plug in and switch on.

The Flexi-duct(s) can be fixed to a standard domestic vent or simply placed through a partially open window to facilitate portability and/or convenience. All handling and/or use of potentially harmful substances is carried out within the hood enclosure in front of the intake filter area. For artwork applications, standard A2 (T660H-D) or A1 (T930H-D) drawing boards can be placed within the hood enclosure. The boards fit at an angle for efficient overspray capture.



Filtration

The particulate (intake) filter is a three stage graduated fibre filter with a high 'dust' holding capacity for long life. Filtration to 5 micron particles. NB: Spray particulate sizes vary from 10 to 20 microns.

The dual process of filtration and then extraction to atmosphere via flexi-duct, vastly reduces and/or eliminates operator exposures to potentially hazardous substances.

Specification

Model Number	Fan Motor* Spec	Air Volume At Free Air	Ave. Air Velocity At Filter Face	Ave. Air Velocity At Hood Face	Noise Level LAeq dB(A)
T660H-D	230V 50Hz 105W	355 m3/hr	0.60 m/sec	0.55 m/sec	58
T930H-D	230V 50Hz 210W	710 m3/hr	0.60 m/sec	0.60 m/sec	60

* 110 Volts 50 or 60Hz available if required

These fume cabinets are designed for immediate operator protection whereby 'large' particulates (> 5 microns) are filtered out and 'fine' particulates (<5 microns) together with odours, gases, vapours and fumes within the hood enclosure are exhausted to atmosphere via the flexi-duct(s). Also see TechFlo cabinets model No's T660H-C and T930H-C (higher specification filtration) where external venting is impractical.

Please contact WS for advice on the choice of machine for any given situation.

WS Ltd, Unit 1 Levens Hall Park, Lund Lane, Harrogate, HG3 2BG, UK

T: +44 (0) 1423 522836 F: +44 (0) 1423 525656

E: enquiries@widespreadsolutions.co.uk Web: www.widespreadsolutions.co.uk