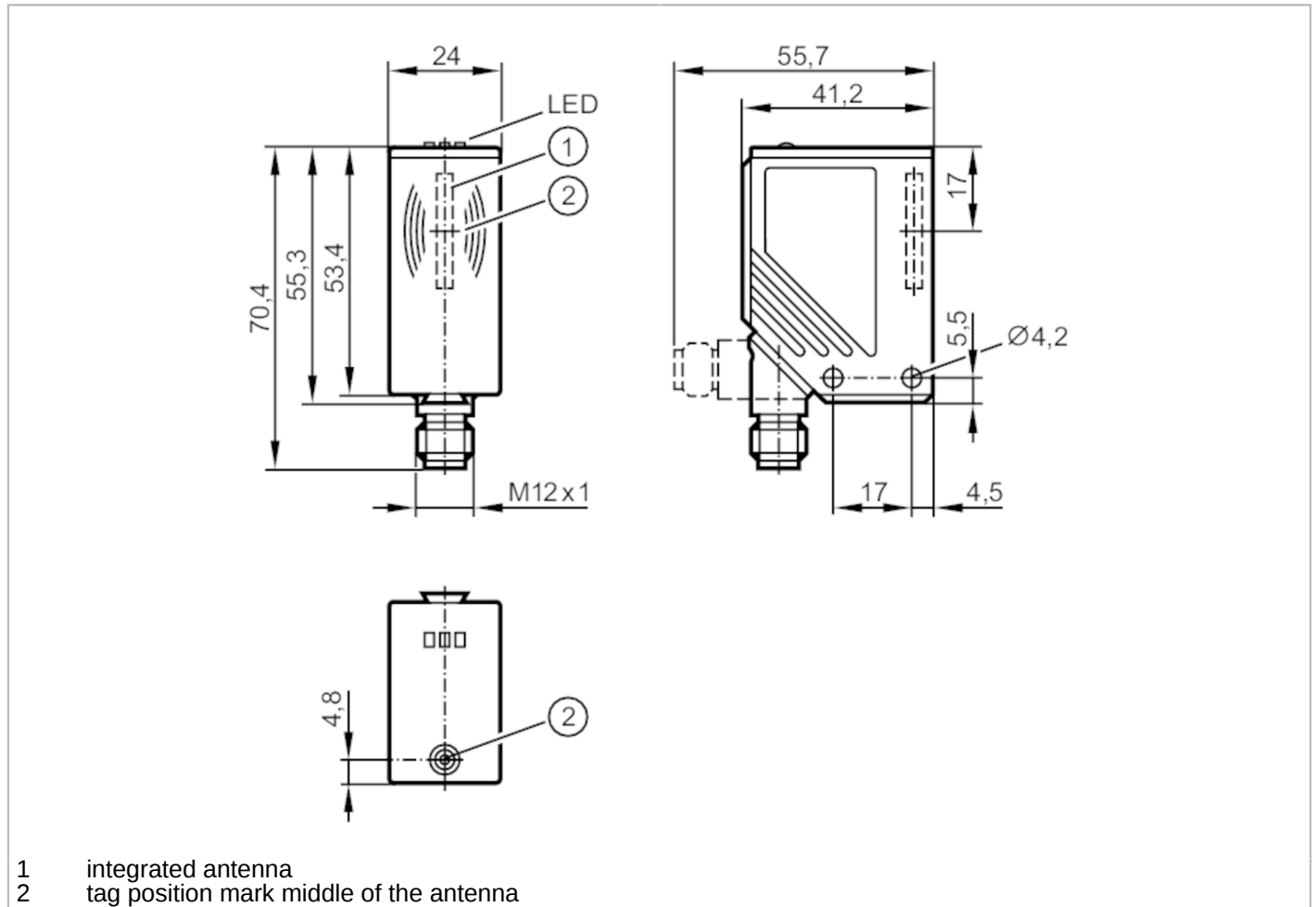


# DTA101



## RFID read head with AS-Interface

DTSLF AAROASUS01



Application	
Application	detection of objects on transport equipment
Radio approval for	Europe; USA; Canada; Australia; China; Singapore
Electrical data	
Operating voltage [V]	26.5...31.6 DC; (operating voltage "supply class 2" according to cULus)
Current consumption [mA]	< 50
Protection class	III
Operating frequency [MHz]	0,125
Outputs	
Electrical design	AS-i

# DTA101



## RFID read head with AS-Interface

DTSLF AAROASUS01

Detection zone			
Travel speed	[m/s]	< 0.5	
Distance read/read head front		200	
Distance read/read head side		200	
Note on distance read/read head		referred to	:
		Read/write head	DTA100
		Read head	DTA101
Distance write/read head front	[mm]	400	
Distance write/read head side	[mm]	400	
Note on distance write/read head		referred to	:
		Read/write head	DTA100
		Read head	DTA101
Distance to the ID tag	[mm]	read static	: ≤ 20

Operating conditions		
Ambient temperature	[°C]	-20...50
Storage temperature	[°C]	-25...80
Protection		IP 67

Tests / approvals		
EMC	EN 50295	1999-03
Shock resistance	EN 60068-2-29	40 6 ms
	EN 60068-2-27	50 g 11 ms
Vibration resistance	EN 60068-2-6	20 g 10...2000 Hz
MTTF	[years]	422

AS-i classification		
AS-i I/O configuration	[hex]	7
AS-i ID code	[hex]	3
AS-i certificate		71502

Mechanical data		
Weight	[g]	155
Housing		rectangular
Dimensions	[mm]	55 x 24 x 41
Materials		PA

Displays / operating elements		
Display	Operating voltage	1 x LED, green
	tag communication	1 x LED, yellow
	error AS-i data communication	1 x LED, red

Remarks	
Remarks	For the distances to other ID tags see the respective data sheet (E803xx)
Pack quantity	1 pcs.

Electrical connection	
Connector: 1 x M12	

# DTA101



## RFID read head with AS-Interface

DTSLF AAROASUS01



### Connection

