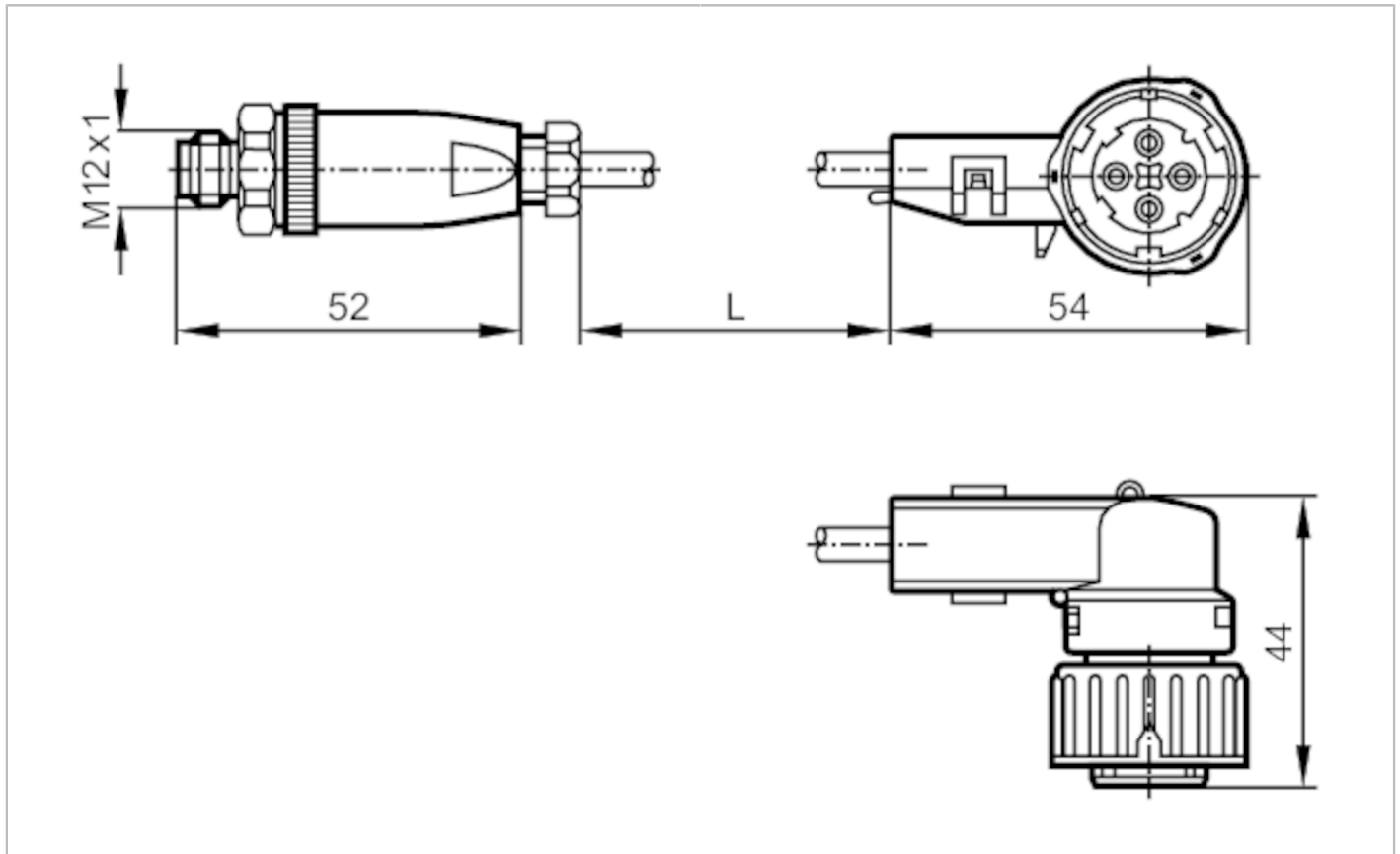


E11274



Connection cable

VDOAR040PLS0002HSTGH040VAS



| Application | |
|---|---|
| Special feature | Halogen-free |
| Design | for communication with the programming unit PP2000 |
| Electrical data | |
| Operating voltage [V] | 9.6...30 DC |
| Operating conditions | |
| Ambient temperature [°C] | -40...85 |
| Protection | IP 67; (Connecting cable with socket: IP 67 / IP 69K) |
| Mechanical data | |
| Weight [g] | 131 |
| Materials | Connecting cable with plug: PA; Connecting cable with socket: Hytrel G-4774 |
| Remarks | |
| Pack quantity | 1 pcs. |
| Electrical connection | |
| Cable: 2 m, PUR, Halogen-free, black, Ø 6 mm; 4 x 0.5 mm ² | |
| Electrical connection - plug | |
| Connector: 1 x M12, straight | |

E11274

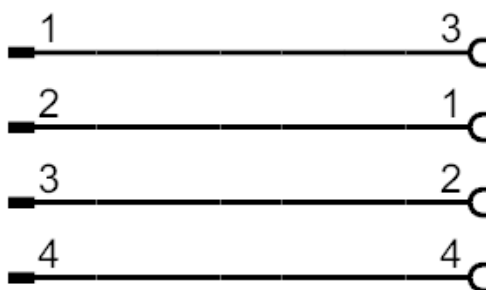


Connection cable

VDOAR040PLS0002HSTGH040VAS



Connection



Electrical connection - socket

Connector: 1 x bayonet, angled

