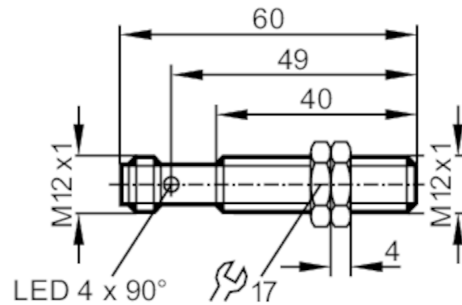


IFC247



Inductive AS-Interface sensor

IFK2004BASI /M/US-104



Product characteristics

Electrical design		AS-i
Sensing range	[mm]	4
Housing		threaded type
Dimensions	[mm]	M12 x 1 / L = 60

Application

Special feature		Gold-plated contacts
Application		Use in machine tools, coolants and lubricants

Electrical data

Operating voltage	[V]	26.5...31.6 DC
Current consumption	[mA]	< 30
Protection class		III
Reverse polarity protection		yes
Max. power-on delay time	[ms]	1000

Outputs

Electrical design		AS-i
Switching frequency DC	[Hz]	100

Detection zone

Sensing range	[mm]	4
Operating distance	[mm]	0...3.25

Accuracy / deviations

Correction factor		steel: 1 / stainless steel: 0.7 / brass: 0.5 / aluminium: 0.5 / copper: 0.4
Hysteresis	[% of Sr]	1...20

Operating conditions

Ambient temperature	[°C]	-25...70
Protection		IP 68; ("Coolant")



Inductive AS-Interface sensor

IFK2004BASI /M/US-104

Tests / approvals		
EMC	EN 61000-4-2 ESD	4 kV CD / 8 kV AD
	EN 61000-4-3 HF radiated	10 V/m
	EN 61000-4-4 Burst	2 kV
	EN 61000-4-6 HF conducted	10 V
	EN 55011	class B
MTTF	[years]	1679
UL approval	Ta	-25...70 °C
	Enclosure type	Type 1
	voltage supply	Limited Voltage/Current
	File number UL	E174191

AS-i classification																
AS-i version	2.1															
Extended addressing mode possible	yes															
AS-i I/O configuration	[hex] 0															
AS-i ID code	[hex] A.F															
AS-i certificate	57001															
Assignment of the data bits	<table border="1"> <thead> <tr> <th>Designation</th> <th>switching signal</th> <th>not used</th> <th>not used</th> <th>not used</th> </tr> </thead> <tbody> <tr> <td>status = 0</td> <td>target outside the active zone</td> <td>-</td> <td>-</td> <td>-</td> </tr> <tr> <td>status = 1</td> <td>target within the active zone</td> <td>default value</td> <td>default value</td> <td>default value</td> </tr> </tbody> </table>	Designation	switching signal	not used	not used	not used	status = 0	target outside the active zone	-	-	-	status = 1	target within the active zone	default value	default value	default value
	Designation	switching signal	not used	not used	not used											
	status = 0	target outside the active zone	-	-	-											
status = 1	target within the active zone	default value	default value	default value												

Mechanical data	
Weight	[g] 27.4
Housing	threaded type
Mounting	flush mountable
Dimensions	[mm] M12 x 1 / L = 60
Thread designation	M12 x 1
Materials	stainless steel (1.4404 / 316L); sensing face: LCP uncoloured

Displays / operating elements		
Display	switching status	4 x 90° LED, yellow
	function	1 x LED, red

Accessories	
Accessories (supplied)	lock nuts: 2

Remarks	
Pack quantity	1 pcs.

Electrical connection - plug

Connector: 1 x M12; Contacts: gold-plated



IFC247



Inductive AS-Interface sensor

IFK2004BASI /M/US-104

Connection

