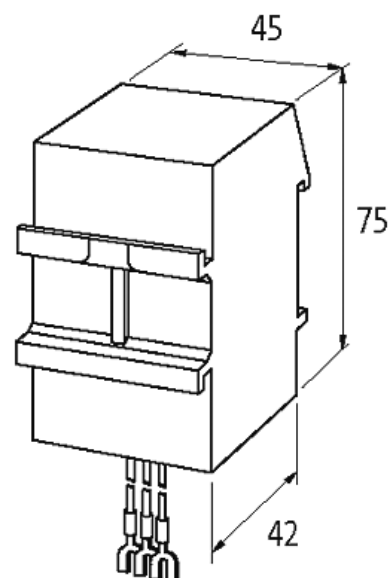


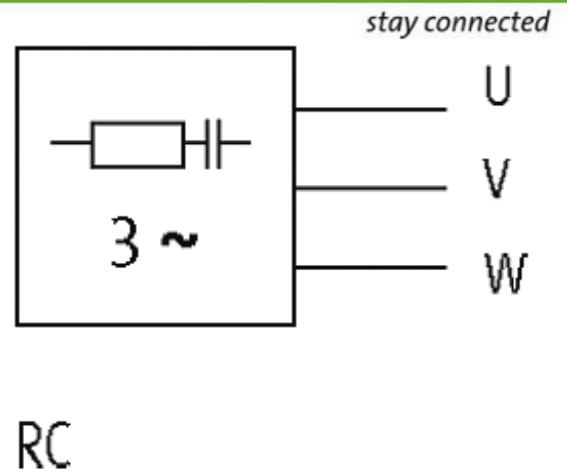
MOTOR SUPPRESSOR

RC, 3x690VAC/10kW

3 × 690 V AC
RC

Suppressors for other voltages, frequencies, and motor ratings available on request. Do not use RC motor suppressors with frequency inverters.

[Link to Product](#)**Illustration**



Product may differ from Image

Technical Data

Material	Flame retardant plastic acc. to (UL 94)
Potting compound	2-component epoxy
Frequency	50...60 Hz

General data

Dimensions H × W × D	75×45×42 mm
Temperature range	-20...+60 °C
Connection	approx. 250 mm, single cores 0.5 mm ² , with self-securing fork terminal ends M4

Commercial data

country of origin	CZ
customs tariff number	85363010
minimum order quantity	1