

MODLINK MSDD FRAME SINGLE METAL

Black

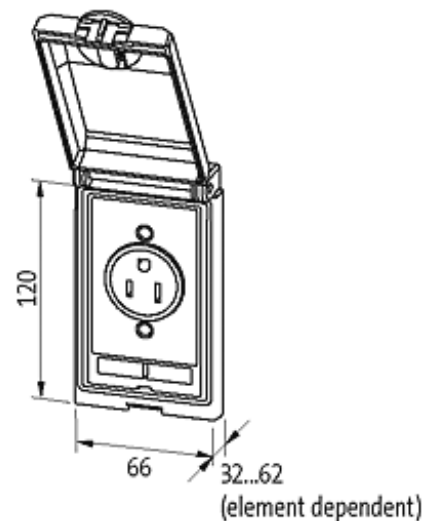
Frame: metal, black KTL

Lid: metal, black KTL

KTL stands for “cataphoretic immersion painting” and ensures that the product is given long-lasting protection from scratching and corrosion

[Link to Product](#)

Illustration



Product may differ from Image

Approvals



Frame

suitable for mounting with wall thickness	1...5 mm
Protection	IP65
Housing	Zinc die-casting, KTL coated
Dimensions H x W x D	120x65x38
Temperature range	-10...+60 °C (storage temperature -25...+60 °C)

General data

Dimensions H x W x D	120x65x38 mm
----------------------	--------------

Commercial data

country of origin	DE
customs tariff number	85389099
minimum order quantity	1