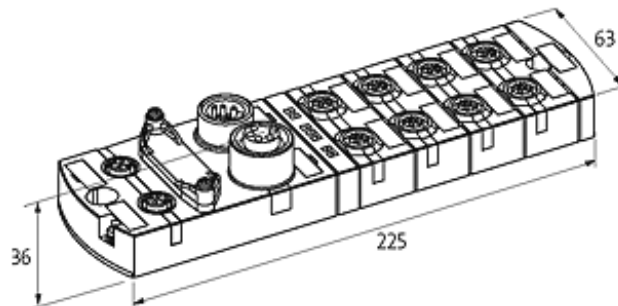


**IMPACT67 COMPACT MODULE, PLASTIC**

Profinet, 16 dig. In

Digital inputs  
DI16

For connection cables please see chapter "Connection Technology" Housings potted on the back

[Link to Product](#)**Illustration**

Product may differ from Image

**Approvals****More Info****Input**

Sensor supply US	24 V DC (EN 61131-2), max. 200 mA (M12 female), short-circuit and overload protected
Type	for 3-wire sensors or mechanical switches, PNP, (EN 61131-2)
<b>Connections</b>	
Fieldbus	M12, D-coded
Sensor-system/actuator supply	7/8", 5-pole, 2 × max. 9 A
I/O ports	M12, A-coded, 5-pole
<b>Fieldbus</b>	
Operating voltage	24 V DC (EN 61131-2)
Operating modes	Autonegotiation/Auto MDI/MDI-X
Transfer rate	to 100 Mbit/s Full Duplex
Addressing	DCP
<b>General data</b>	
Protection	IP67
Mounting method	2 hole screw mounting, compatible with I/O modules of MVK model range
Temperature range	-25...+55 °C (storage temperature -25...+70 °C)
Dimensions H × W × D	39×63×225 mm
<b>Diagnostic</b>	
Communication status	via LED
Diagnostic via LED	per module and channel
Diagnostic via BUS	per module
Monitoring - under voltage	yes
Monitoring - no voltage	yes
Short circuit and overload	yes
<b>Commercial data</b>	
country of origin	DE
customs tariff number	85176200
minimum order quantity	1