


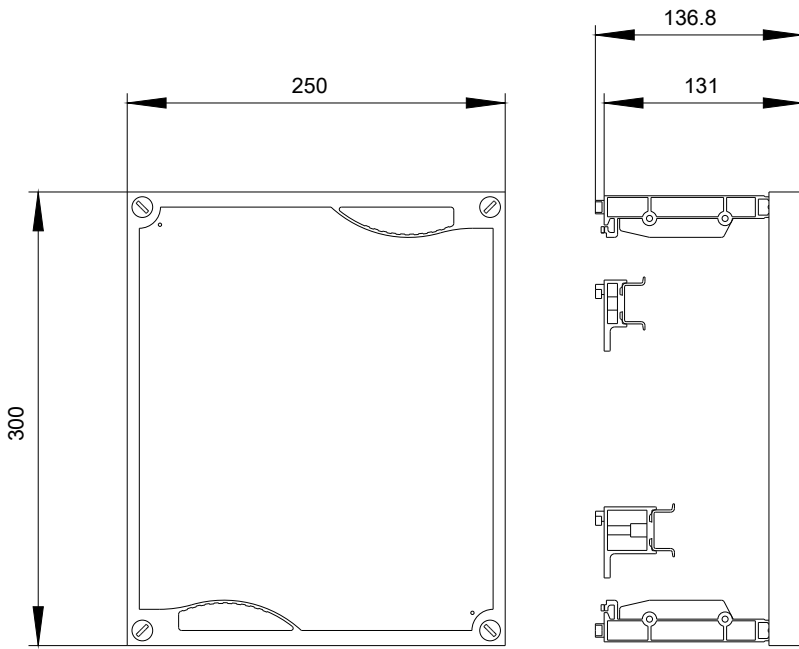




ALPHA 400/630 DIN, KIT FOR ROW TERMINALS
FIELD COVER WITHOUT CUTOUT WITH TERMINAL
SUPPORT, HORIZ., H=300 W=250

Accessories					
accessories			others		
General Product Approval		Declaration of Conformity	Test Certificates		
 GOST		other	 EG-Konf.	Special Test Certificate	Type Test Certificates/Test Report

Further information
Information- and Downloadcenter (Catalogs, Brochures,...) http://www.siemens.com/lowvoltage/catalogs
Industry Mall (Online ordering system) https://eb.automation.siemens.com/mall/en/WW/Catalog/Product/8GK44012KK12
Service&Support (Manuals, Certificates, Characteristics, FAQs,...) http://support.automation.siemens.com/WW/view/en/8GK44012KK12/all
Image database (product images, 2D dimension drawings, 3D models, device circuit diagrams, ...) http://www.automation.siemens.com/bilddb/cax_en.aspx?mlfb=8GK44012KK12
CAX-Online-Generator http://www.siemens.com/cax
Tender specifications http://ausschreibungstexte.siemens.com/tiplv



last modified:

11.03.2015