

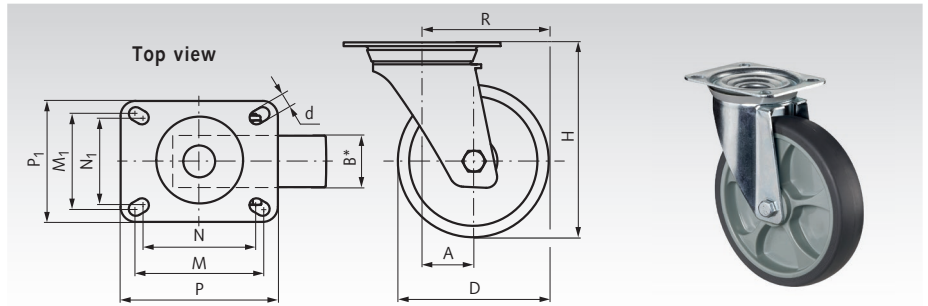
## Transport Castors with Plate, Rubber Bandage TPE grey

### Swivel Castors

**Material:** Fork: steel plate, zinc-plated.  
Tread: thermoplastic rubber, grey.  
Wheel body: Plastic, screwed.  
Wheel mounting: roller bearing.  
Swivel bearing: double ball wreath.

For indoor and outdoor use. Low-noise running with low rolling and swivelling resistance. Non-marking. The tread is slightly oily and can cause contact discolouration on sensitive surfaces.

**Temperature range:** -20°C to +60°C.



Ordering Details: e.g.: Product No. 777 310 80, Swivel castor, TPE grey, D 80 mm

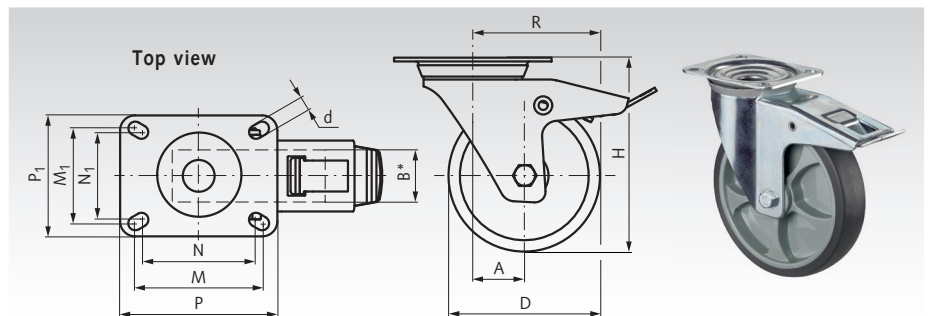
Product No.	D mm	B mm	H mm	A mm	R mm	d mm	P mm	P <sub>1</sub> mm	M mm	M <sub>1</sub> mm	N mm	N <sub>1</sub> mm	Load capacity kg	Weight kg
777 310 80	80	32	105	34	74	9	104	80	84	64	76	56	100	0,50
777 311 00	100	32	128	34	84	9	104	80	84	64	76	56	110	0,60
777 311 25	125	32	155	34	96,5	9	104	80	84	64	76	56	120	0,75
777 311 60	160	45	195	48	128	12	135	110	105	80	100	75	200	1,80
777 312 00	200	45	235	58	158	12	135	110	105	80	100	75	220	2,05

### Swivel Castors with Brake

**Material:** Fork: steel plate, zinc-plated.  
Tread: thermoplastic rubber, grey.  
Wheel body: Plastic, screwed.  
Wheel mounting: roller bearing.  
Swivel bearing: double ball wreath.

For indoor and outdoor use. Low-noise running with low rolling and swivelling resistance. Non-marking. The tread is slightly oily and can cause contact discolouration on sensitive surfaces.

**Temperature range:** -20°C to +60°C.



Ordering Details: e.g.: Product No. 777 320 80, Swivel castor with brake, TPE grey, D 80 mm

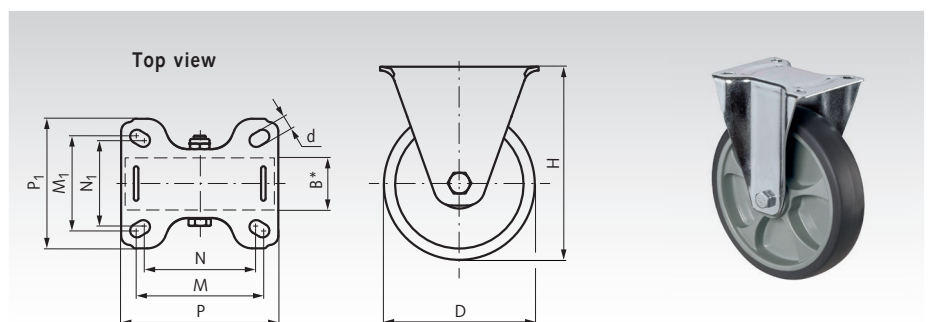
Product No.	D mm	B mm	H mm	A mm	R mm	d mm	P mm	P <sub>1</sub> mm	M mm	M <sub>1</sub> mm	N mm	N <sub>1</sub> mm	Load capacity kg	Weight kg
777 320 80	80	32	105	34	74	9	104	80	84	64	76	56	100	0,80
777 321 00	100	32	128	34	84	9	104	80	84	64	76	56	110	0,85
777 321 25	125	32	155	34	96,5	9	104	80	84	64	76	56	120	1,05
777 321 60	160	45	195	48	128	12	135	110	105	80	100	75	200	2,25
777 322 00	200	45	235	58	158	12	135	110	105	80	100	75	220	2,65

### Fixed Castors

**Material:** Fork: steel plate, zinc-plated.  
Tread: thermoplastic rubber, grey.  
Wheel body: Plastic, screwed.  
Wheel mounting: roller bearing.

For indoor and outdoor use. Low-noise running with low rolling and swivelling resistance. Non-marking. The tread is slightly oily and can cause contact discolouration on sensitive surfaces.

**Temperature range:** -20°C to +60°C.



Ordering Details: e.g.: Product No. 777 330 80, Fixed castor, TPE grey, D 80 mm

Product No.	D mm	B mm	H mm	d mm	P mm	P <sub>1</sub> mm	M mm	M <sub>1</sub> mm	N mm	N <sub>1</sub> mm	Load capacity kg	Weight kg
777 330 80	80	32	105	9	104	86	84	64	76	56	100	0,35
777 331 00	100	32	128	9	104	86	84	64	76	56	110	0,45
777 331 25	125	32	155	9	104	86	84	64	76	56	120	0,65
777 331 60	160	45	195	12	135	110	105	80	100	75	200	1,45
777 332 00	200	45	235	12	135	110	105	80	100	75	220	1,75

\* Width of wheel.