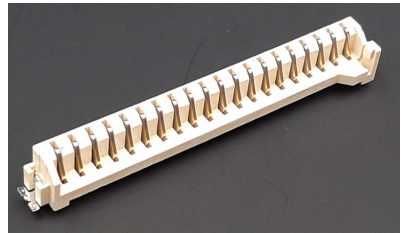


Clipzin™ Connector

Features:

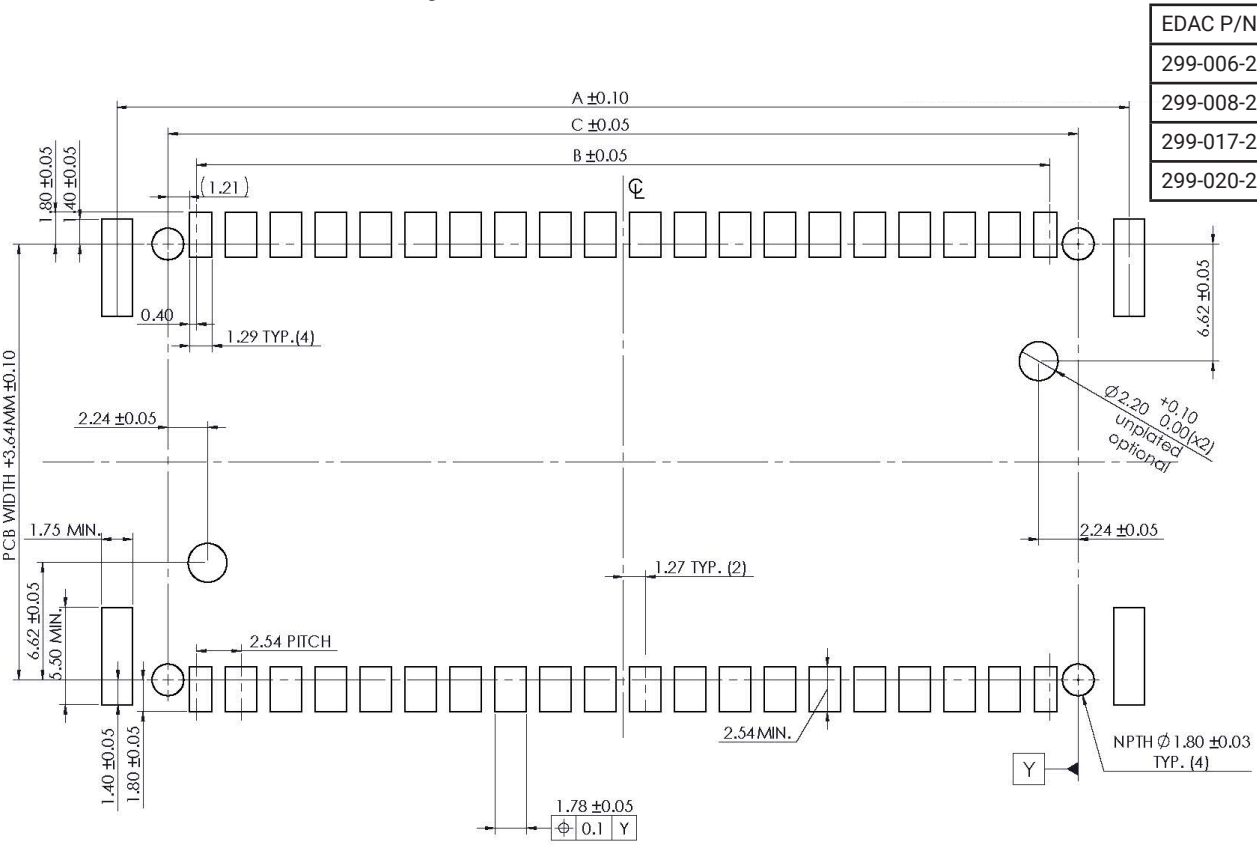
- Available in 6, 8, 17 and 20-way
- Semi-permanent way to mount one PCB on another
- No tool or soldering required, sub-boards clip-in either manually or automatically with a 'pick and place' machine
- 2.54mm pitch spacing
- Suitable for surface mount soldering
- Reliable and consistent connection between contacts and castellated edge of board
- Quick mating and unmating process
- RoHS Compliant



Specifications:

Insulator Material	LCP + 30GF, UL 94V-0		
Terminal Material	Phosphor Bronze		
Terminal Plating	Contact Area: Gold Flash	Solder Tail Area: Tin Plating	All Over Nickel Under Plating
Current Rating	1A Max / Contact		
Voltage Rating	5V DC / Contact		
Standard Operating Temperature	-40°C to +85°C		
Reflow Soldering Temperature	+ 260°C, 10 seconds max		
Insertation / De-insertion Cycles	50 (optional up to 500)		
RoHS	Yes		
Type	SMT		

Recommended PCB Layout:



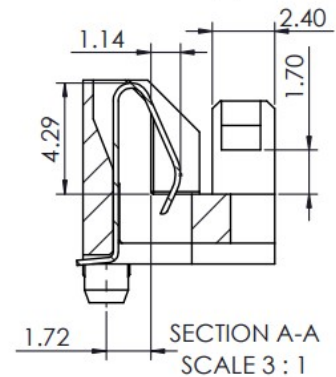
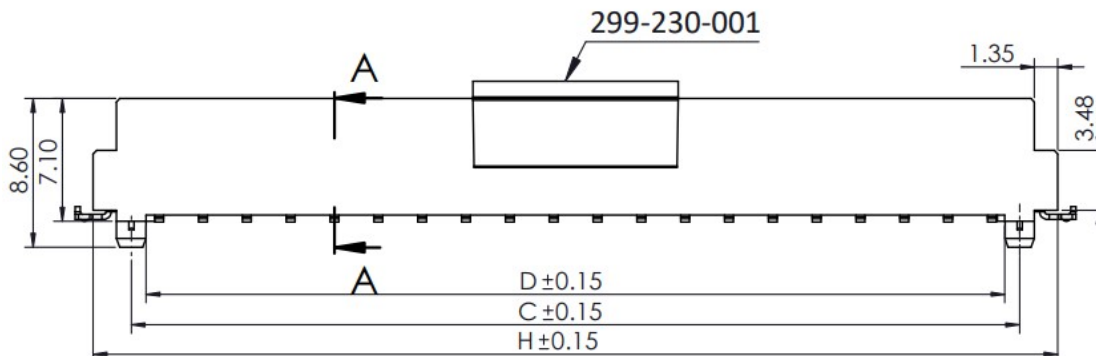
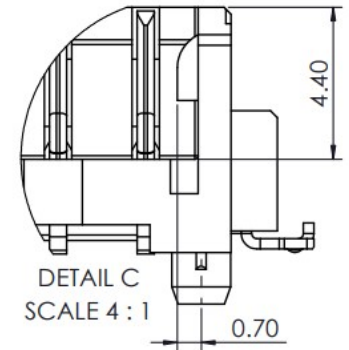
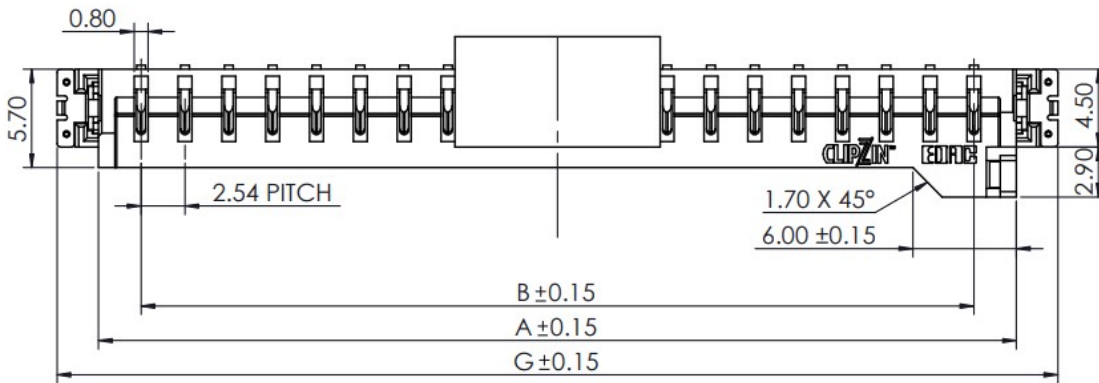
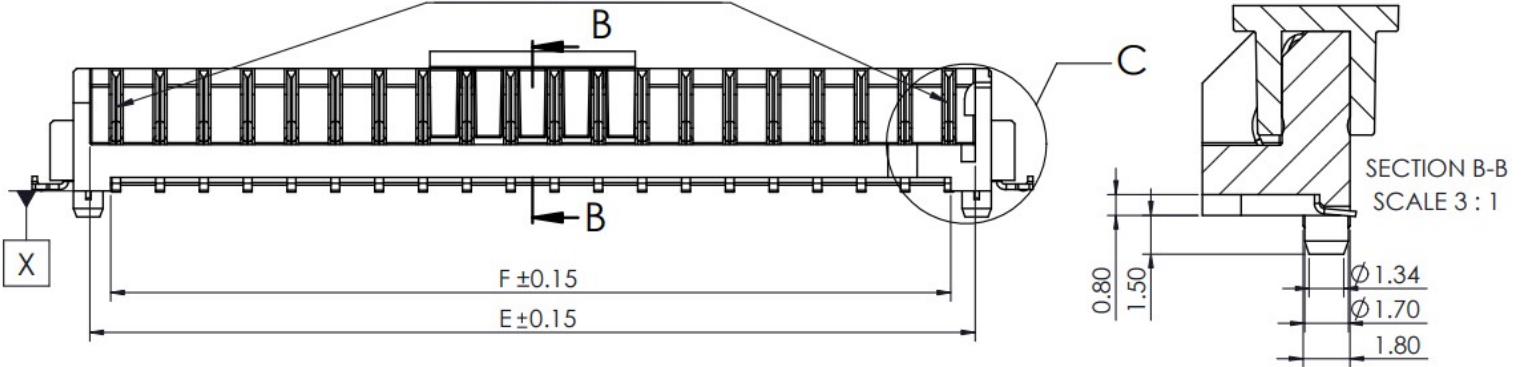
EDAC P/N	A	B	C
299-006-299-198	21.69	12.70	15.92
299-008-299-198	26.77	17.78	21.00
299-017-299-198	49.63	40.64	43.86
299-020-299-198	57.25	48.26	51.48

Clipzin™ Connector

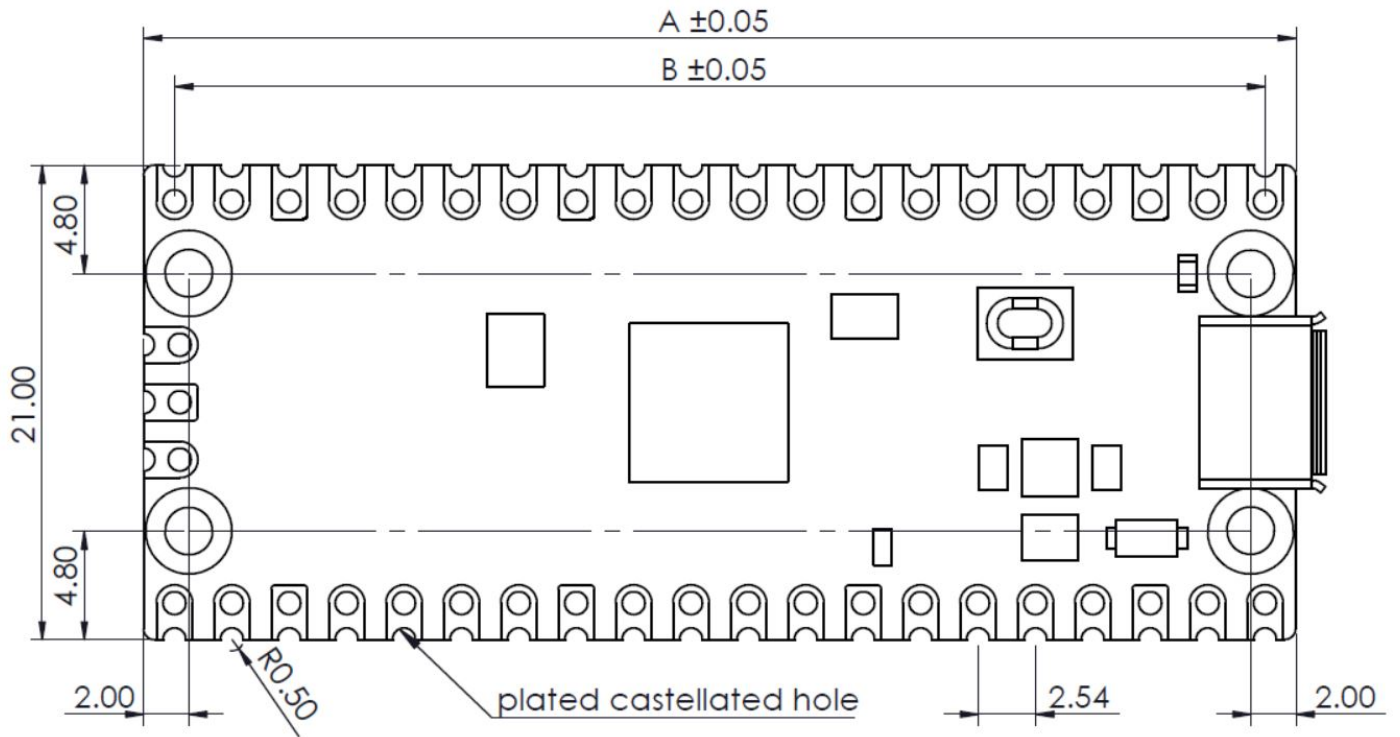
EDAC P/N	A	B	C	D	E	F	G	H
299-006-299-198	17.64	12.70	15.92	14.20	15.74	13.14	22.44	20.34
299-008-299-198	22.72	17.78	21.00	19.28	20.82	18.22	27.52	25.42
299-017-299-198	45.58	40.64	43.86	42.14	43.68	41.08	50.38	48.28
299-020-299-198	53.20	48.26	51.48	49.76	51.30	48.70	58.00	55.90

NO CONTACTS AT
1 AND 17 POSITION
FOR 299-017-299-198

TOLERANCE
UNLESS OTHERWISE
SPECIFIED IN MM:
X.X ±0.2
X.XX ±0.10
X.XXX ±0.050



Clipzin™ Connector



General Table			
PART NO.	A	B	
299-006-299-198	15.44	12.70	
299-008-299-198	20.52	17.78	
299-017-299-198	43.38	40.64	Arduino® Nano
299-020-299-198	51.00	48.26	Raspberry Pi® Pico

Clipzin™ Connector

PCB remove instruction:

Step 1 - push outwards the locking clip

Step 2 - lift PCB

