



Wire Protection & Management > Cable Braids



Cable Braid Product Type: **Braid**

Cable Braid Plating: **Tin**

Braid Material: **Copper**

Braid Coverage: **93 %**

## Features

### Product Type Features

Cable Braid Product Type	Braid
--------------------------	-------

### Electrical Characteristics

DC Resistance (Nominal)	2.32 mΩ
-------------------------	---------

### Body Features

Cable Braid Plating	Tin
Braid Material	Copper

### Dimensions

Weight (Nominal)	95 kg/km
Length	32.8 ft

### Usage Conditions

Operating Temperature Range	-65 – 150 °C
-----------------------------	--------------

### Packaging Features

Packaging Method	Bag
Packaging Quantity	10

### Other

Braid Coverage	93 %
----------------	------

## Product Compliance

[For compliance documentation, visit the product page on TE.com>](#)

EU RoHS Directive 2011/65/EU	Compliant
EU ELV Directive 2000/53/EC	Compliant
China RoHS 2 Directive MIIT Order No 32, 2016	No Restricted Materials Above Threshold
EU REACH Regulation (EC) No. 1907/2006	Current ECHA Candidate List: JAN 2023 (233) Candidate List Declared Against: JAN 2023 (233) Does not contain REACH SVHC
Halogen Content	Low Halogen - Br, Cl, F, I < 900 ppm per homogenous material. Also BFR/CFR/PVC Free
Solder Process Capability	Not applicable for solder process capability

Product Compliance Disclaimer

This information is provided based on reasonable inquiry of our suppliers and represents our current actual knowledge based on the information they provided. This information is subject to change. The part numbers that TE has identified as EU RoHS compliant have a maximum concentration of 0.1% by weight in homogenous materials for lead, hexavalent chromium, mercury, PBB, PBDE, DBP, BBP, DEHP, DIBP, and 0.01% for cadmium, or qualify for an exemption to these limits as defined in the Annexes of Directive 2011/65/EU (RoHS2). Finished electrical and electronic equipment products will be CE marked as required by Directive 2011/65/EU. Components may not be CE marked. Additionally, the part numbers that TE has identified as EU ELV compliant have a maximum concentration of 0.1% by weight in homogenous materials for lead, hexavalent chromium, and mercury, and 0.01% for cadmium, or qualify for an exemption to these limits as defined in the Annexes of Directive 2000/53/EC (ELV). Regarding the REACH Regulation, the information TE provides on SVHC in articles for this part number is based on the latest European Chemicals Agency (ECHA) 'Guidance on requirements for substances in articles' posted at this URL: <https://echa.europa.eu/guidance-documents/guidance-on-reach>

## Customers Also Bought



TE Part #5120527-2  
1FHP,84,30A/S,S,N,S10,12,13,15



TE Part #T4072014031-001  
M8.MLE.PNLFRONT.3POS.STR WIRE



TE Part #1624213-2  
23SE 10KB 6.35X50FL B7 CAT



TE Part #150699-2  
187 FASTON,FLAG,REC.,20-16 AWG, TPBR



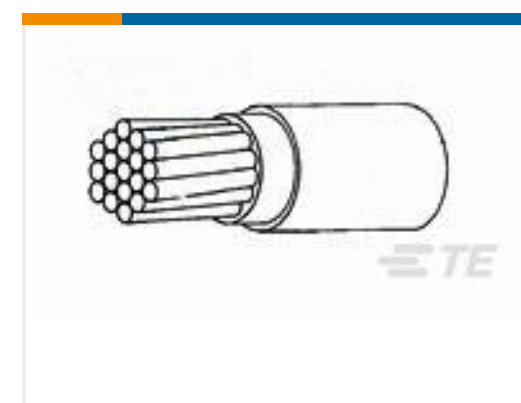
TE Part #YDTS20W17-26PNV001  
RECP ASSY



TE Part #CQ50453001  
RAY-101-6.0(10)



TE Part #3-521150-2  
ULTRA-FAST 250 ASY REC 16-14 AWG TPBR



TE Part #2820263013  
44A0111-20-6



## Documents

### Product Drawings

[RAY-101-20.0\(10\)](#)

English

---

### Datasheets & Catalog Pages

[1654025\\_Sec9\\_Ray90\\_Ray101\\_Ray103](#)

English

[Harness Repair Products Quick Reference Guide](#)

English