

Specification for Fan D340T

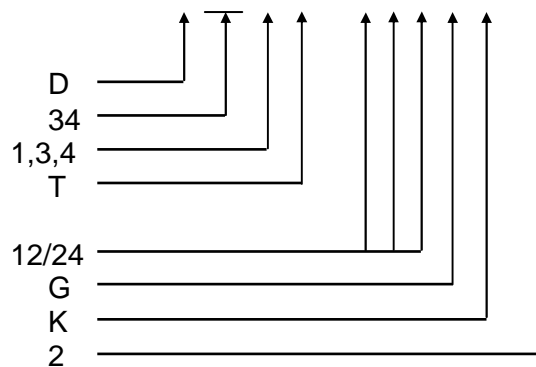
Fan Type	D340 Axial blower
Manufacturer	Micronel AG, Switzerland
Modification	Standard Product

Manufacturer part number

D 3 4 1 T - 0 . . G K - 2
D 3 4 3 T - 0 . . G K - 2
D 3 4 4 T - 0 . . G K - 2

Structure:

Axial Blowers
 Dimension Ø34 mm
 See dimensional drawing
 Twist



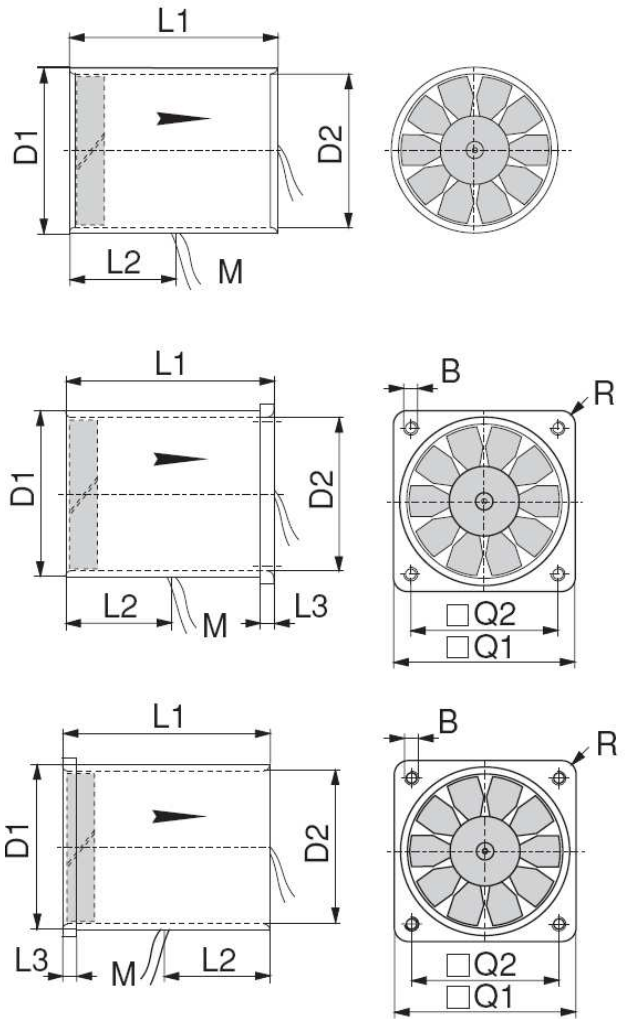
Nom. Voltage VDC
 Sleeve Bearing
 Housing Material: Plastic
 High grade brushes with CLL

Design	Motor	12V (4417E-93810) 24V (4417E-94110)	mechanically commutated Motor, CLL dia 17mm Permanent Magnet Sleeve bearing
	Impeller		Mat. Polyphenylenoxide (PPO) UL94V-1 Rotor balanced < G 6.3 Impeller/Shaft fixation, Loctite 495
	Housing		Mat. Polyphenylenoxide (PPO) UL94V-1
	Lead wire		Lead wire red / black, length 225 ±10mm VP / GND Lead wire AWG 26, UL 1007, PVC
	Label		16x26mm, Plastic material

Standards CE

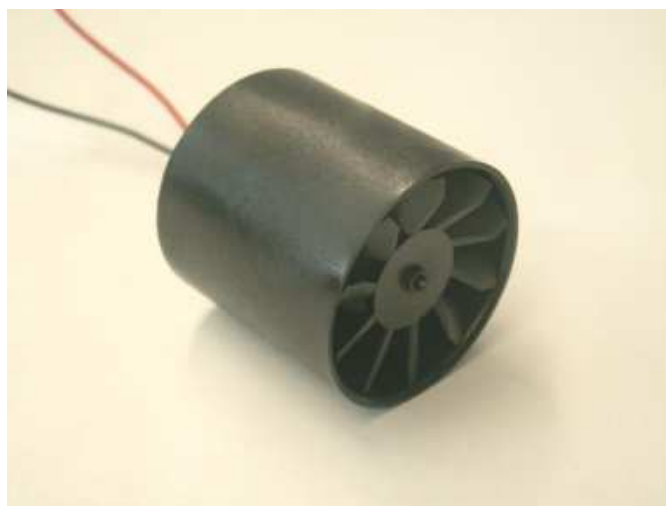
Performance	Operating range	Nominal voltage U [V] Voltage range U [V]	12 9 to 15	24 18 to 30
	freeblowing	Current I [mA]	80	40
		Power P [W]	0.96	0.96
		Speed n [min-1]	13'000	13'000
		Air flow Q [l/min]	276	276
	Static pressure	Pressure p [Pa]	220	220
Stall current max.	Current I [mA]	0.90	0.45	
Mechanics		Weight 36g		
Running time	MTTF	MTTF 5'000h, 25°C ambient temperature, 11.5h on, 0.5 h off		
Acoustic emission level	LpA dB(A) 1 m SMV 005		46	
Environmental	Operation temperature	-20 to +65°C / - 5 to +150°F		
	storage temperature	-30 to +85°C / -22 to +185°F		
	Humidity	10% to 85%		
	Protection class	IP40		

Dimensional drawing

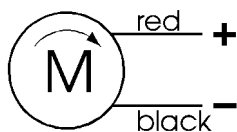


D340	mm	inch
D1	36	1.417
D2	33	1.300
L1	36	1.417
L3	4	0.157
B	2.6	0.102
Q1	40	1.575
Q2	32	1.260
R	3	0.118

Picture



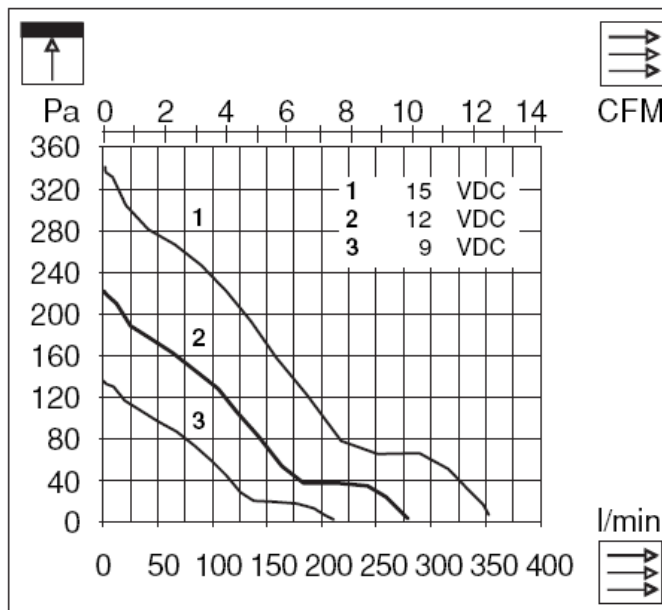
Electric circuit



p/Q Diagram

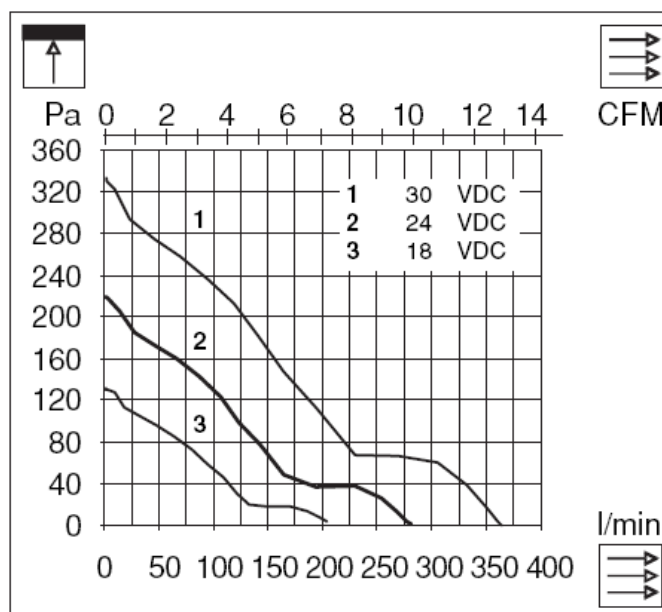
D341T, D343T, D344T

12 VDC



D341T, D343T, D344T

24 VDC



Final Inspection

According SJ58

Revision

02.09.08 DH

Basic Spec.