



MASTER CityWhite CDO-TT

MASTER CityWh CDO-TT Plus 70W/828 E27

Ceramic metal halide lamp with clear tubular outer bulb shape, used in outdoor offering pleasant white light

Warnings and Safety

- Use only in totally enclosed luminaire, even during testing (IEC61167, IEC 62035, IEC60598)
- The luminaire must be able to contain hot lamp parts if the lamp ruptures
- Lamps may use electromagnetic control gear or electronic gear suitable to drive CDO lamps (e.g. HID-PV Xt CDO)
- Control gear must include end-of-life protection (IEC61167, IEC 62035)
- Warm restart time can be up to 15 minutes; T15 ignitors therefore advised
- A lamp breaking is extremely unlikely to have any impact on your health. If a lamp breaks, ventilate the room for 30 minutes and remove the parts, preferably with gloves. Put them in a sealed plastic bag and take it to your local waste facilities for recycling. Do not use a vacuum cleaner.

Product data

General Information		Correlated Color Temperature (Nom)		2800 K
Cap-Base	E27	Color rendering index (CRI)	86	
Operating Position	UNIVERSAL [Any or Universal (U)]	Arc Length O (Nom)	7.15 mm	
Flux measurement reference	Sphere	Operating and Electrical		
Life to 50% Failures (Nom)	27,000 hour(s)	Power Consumption	73.5 W	
Light Technical		Voltage (Nom)	91 V	
Color Code	828 [CCT of 2800K]	Controls and Dimming		
Luminous Flux	7,750 lm	Dimmable	Yes	
Luminous Efficacy (rated) (Nom)	105 lm/W	Mechanical and Housing		
Color Designation	Warm White (WW)	Bulb Finish	Clear	
Chromaticity Coordinate X (Nom)	0.447			
Chromaticity Coordinate Y (Nom)	0.4			

MASTER CityWhite CDO-TT

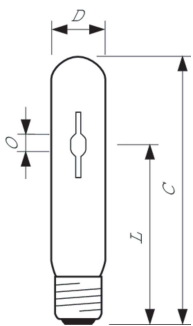
Bulb Shape	T35
Approval and Application	
Energy Efficiency Class	F
Mercury (Hg) Content (Max)	7.8 mg
Mercury (Hg) Content (Nom)	7.8 mg
Energy Consumption kWh/1000 h	74 kWh
EPREL Registration Number	473324

Product Data

Order product name	MASTER CityWh CDO-TT Plus 70W/828 E27
--------------------	---------------------------------------

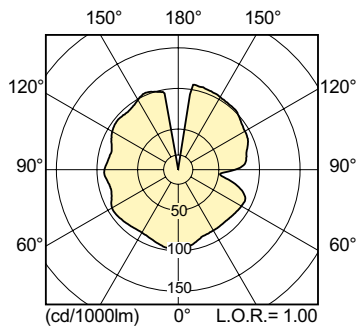
Full product name	MASTER CityWh CDO-TT Plus 70W/828 E27
Full product code	871829112030800
Order code	928082019235
Material Nr. (12NC)	928082019235
Net Weight (Piece)	0.048 kg
EAN/UPC - Product/Case	8718291120308
Numerator - Packs per outer box	12
EAN/UPC - Case	8718291120315

Dimensional drawing

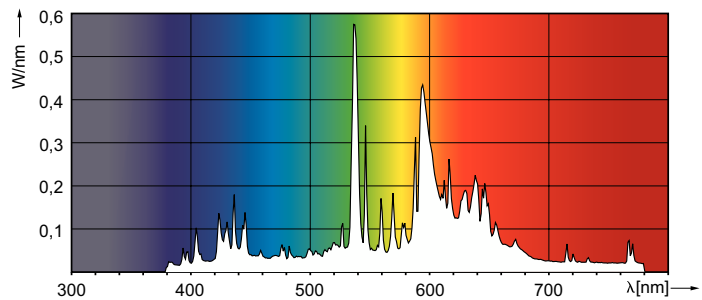


Product	D (max)	O	L	C (max)
MASTER CityWh CDO-TT Plus 70W/828 E27	36 mm	7.15 mm	102 mm	156 mm

Photometric data



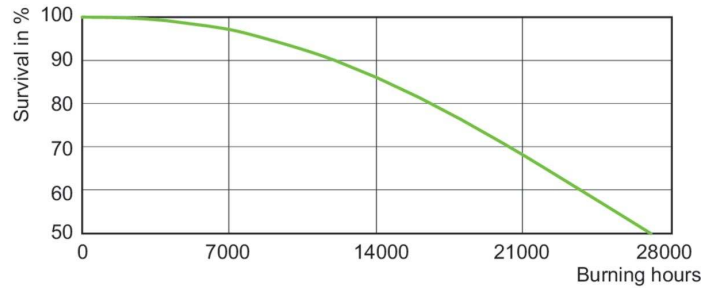
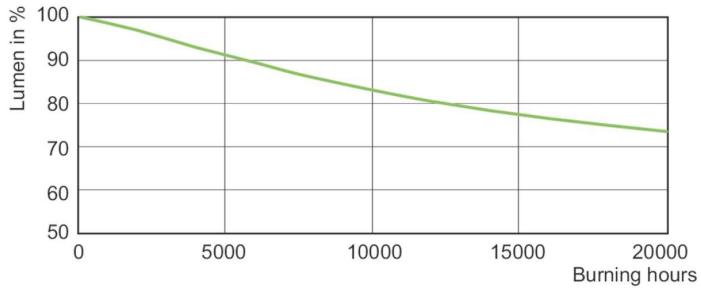
Light Distribution Diagram - MASTER CityWh CDO-TT Plus 70W/828 E27



Spectral Power Distribution Colour - MASTER CityWh CDO-TT Plus 70W/828 E27

MASTER CityWhite CDO-TT

Lifetime



Lumen Maintenance Diagram - MASTER CityWh CDO-TT Plus 70W/828 E27

LDLE_CDO-TT_0001-Life expectancy diagram

