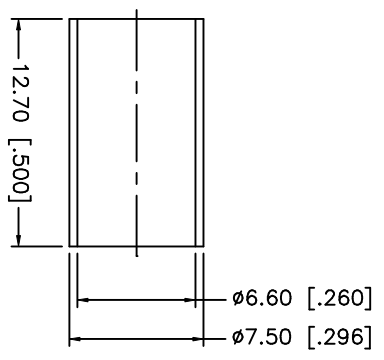
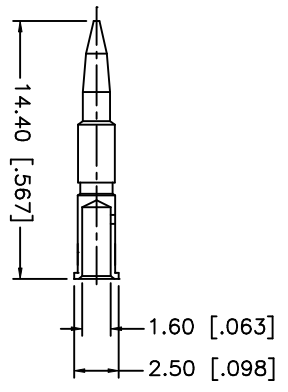
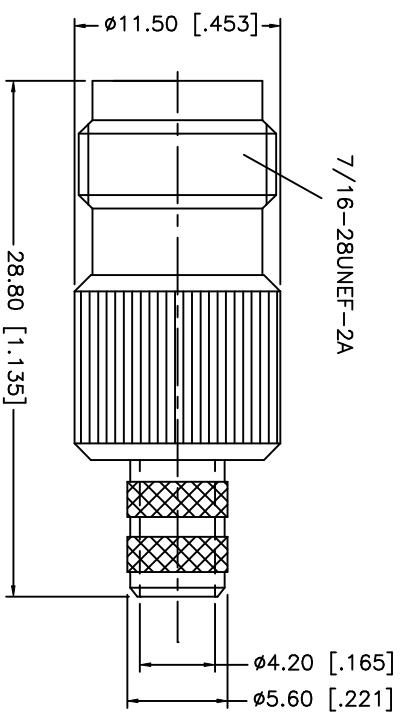
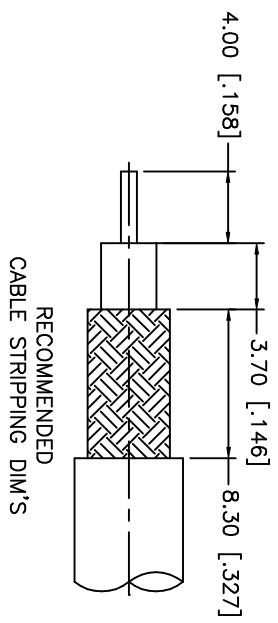


REV.	DATE	DESCRIPTION
NC	08/05/99	INITIAL RELEASE
A	07/20/05	UPDATE DRAWING FORMAT



DESCRIPTION	MATERIAL	FINISH	QTY	DO NOT SCALE DRAWING	APPROVALS	DATE	PART DESCRIPTION	DWG. NO.	REV.	SIZE	SCALE
8				UNLESS OTHERWISE SPECIFIED, DIMENSIONS ARE IN INCHES AND FOR CUSTOMER REFERENCE ONLY.			<b>Amphenol Connex</b> TNC CRIMP JACK - REVERSE POLARIZED (FOR RG-8X, TIMES LMR-240 CABLE)	122409RP	A	A	NA
7				UNLESS OTHERWISE SPECIFIED, DIMENSIONS FOR MILLIMETERS ARE:	DRAWN	07/20/05					
6				UNLESS OTHERWISE SPECIFIED, DIMENSIONS FOR MILLIMETERS ARE:	CHECKED						
5				0.5 - 8mm ± 0.20mm	ISSUED						
4	FERRULE	COPPER	1	8 - 30mm ± 0.40mm	SHEET	1 OF 1					
3	CONTACT PIN	PHOS. BRONZE	1	30 - 120mm ± 0.50mm							
2	INSULATOR	TEFLON	1	UNLESS OTHERWISE SPECIFIED, DIMENSIONS FOR INCHES ARE:							
1	BODY	BRASS	1	.020 - .315 = ± 0.0007* .315 - 1.180 = ± 0.015* 1.180 - 4.724 = ± 0.020*							
	DESCRIPTION	MATERIAL	FINISH	QTY	CAD FILE						
					C:/122/122409RP.DWG						