

**M8-Round-Plug Connector, Single-Ended Cordsets,
According to IEC 61976-2-104**

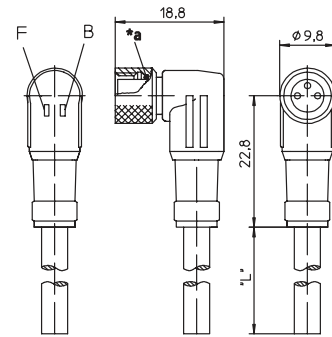
RKMWW/LED A 3



3-Poles (LED)

Actuator/sensor cordset, single-ended, M8
3-poles, female 90 connector with LED
operation and function indicator, self-locking
threaded joint and molded cable.

RKMWW/LED

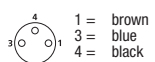


*a O-Ring

Pin Assignments

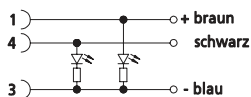
M8

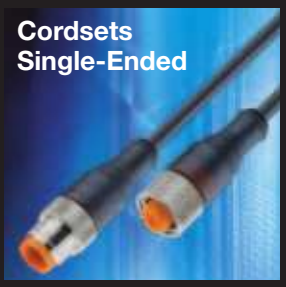
3 poles



Wiring Diagram

A pnp Normally open = yellow-green





Be Certain with Belden

M8-Round-Plug Connector, Single-Ended Cordsets, According to IEC 61976-2-104
RKMWW/LED A 3

Technical Data

Environmental

Degree of protection IP 67/IP 69K / NEMA 6P
Operating temperature range -40°C (-40°F) / +90°C (+194°F)

Mechanical

Housing / Molded body TPU
Insert PA / TPU
Contact CuZn, pre-nickel and 0.8 microns gold-plated
Coupling nut CuZn, nickel-plated
O-Ring FKM

Electrical data

Contact resistance $\leq 5 \text{ m}\Omega$
Nominal current at 40°C 4 A
Nominal voltage 10-30 V DC
Insulation resistance $> 10^9 \Omega$
Pollution degree 3

Cable Specifications

Cable No.	Outer Jacket	Conductor Size	Jacket Color	OD
06	PVC	3 x 0.34 mm ²	Orange	.197" (5.0 mm)
224	PUR, halogen-free	3 x 0.34 mm ²	Black	.169" (4.3 mm)

Part Number	Pins	Outer Jacket	Standard Cable Lengths	Characteristics
RKMWW/LED A 3-06/...M	3	PVC	2 M / 5 M / 10 M	
RKMWW/LED A 3-224/...M	4	PUR, halogen-free	2 M / 5 M / 10 M	