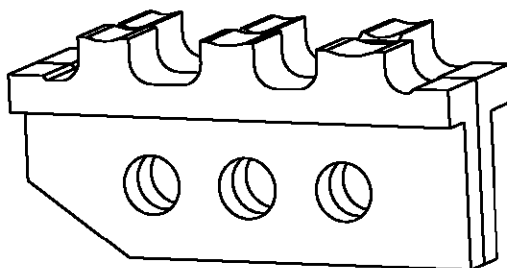
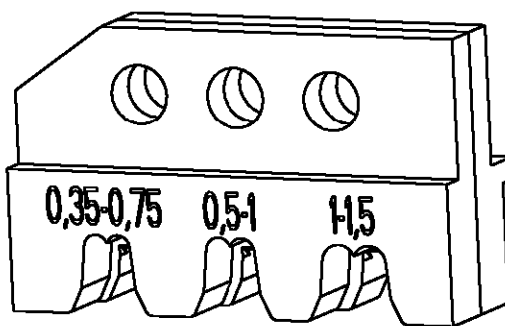


LOC	DIST	REVISIONS					
A1	-	P	LTR	DESCRIPTION	DATE	DWN	APVD
			A		new drawing	11FEB2002	-

Kontakt Contact	DGB (mm ²) Wire Range	Drahtcrimp/Wirecrimp		Isocrimp	Iso.-∅ Ins. Range	Betriebsanl. Instr. Sheet
		Hoehe/Height	Breite/Width	Breite/Width		
41968 / 41969	0.35-0.75	1.32	2.30	3.30	2.3-3.3	411-18197
160506	0.5-1.0	1.45		3.60		
150755	1.0-1.5	1.50	2.80	4.50	3.0-4.3	



539740-2	1	8-539634-5	screw M4x11	Schraube M4x11	A
	1	0-519151-9	screw M4x10	Schraube M4x10	A
	QTY Stck	PN	Description	Benennung	REV

THIS DRAWING IS UNPUBLISHED. RELEASED FOR PUBLICATION 19 BY TYCO ELECTRONICS CORPORATION. ALL RIGHTS RESERVED. © COPYRIGHT 19

DIMENSIONS: mm-DIN 7168-m		DWN M.Weberndoerfer 25JUL00	MATERIAL -	FINISH -
TOLERANCES UNLESS OTHERWISE SPECIFIED:		CHK U.Reuter 25JUL00	AMP tyco Electronics AMP GmbH D - 64625 Bensheim	
0 PLC ± 1 PLC ± 2 PLC ± 3 PLC ± 4 PLC ± ANGLES ±		APVD -		
PRODUCT SPEC -		APPLICATION SPEC -	NAME ERGOCRIMP Die Set for 6.3 mm FASTON	
WEIGHT -		SIZE A4	CAGE CODE 00779	DRAWING NO C=539740-2
RESTRICTED CUSTOMER		RESTRICTED TO -	SCALE 2:1	SHEET 1 OF 1
				REV A