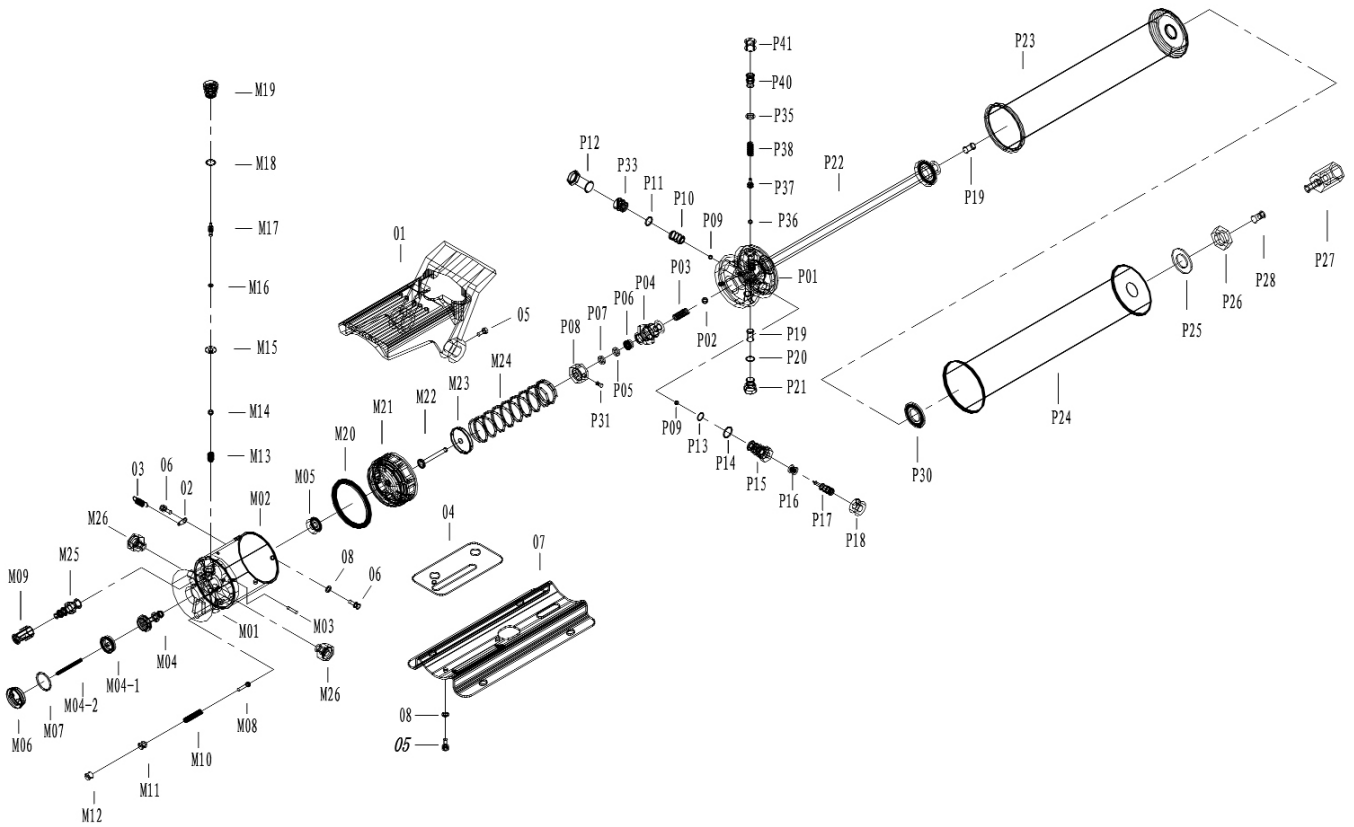




Parts Information:  
Air Hydraulic Pump 10tonne  
Model No: RE83/840.V2



**NOTE:** It is our policy to continually improve products and as such we reserve the right to alter data, specifications and component parts without prior notice.

**IMPORTANT:** No liability is accepted for incorrect use of product.

**WARRANTY:** Guarantee is 12 months from purchase date, proof of which will be required for any claim.

Sealey Group, Kempson Way, Suffolk Business Park, Bury St Edmunds, Suffolk. IP32 7AR



01284 757500



01284 703534



sales@sealey.co.uk



www.sealey.co.uk



Parts Information:  
Air Hydraulic Pump 10tonne  
Model No: RE83/840.V2

1	840.V2-01	TREADLE
2	840.V2-02	SPRING HOOK WASHER
3	840.V2-03	SPRING
4	840.V2-04	GASKET
5	SCB516.SB	SOCKET HEAD CAP SCREW M5x16 BLACK
6	SCB512.SB	SOCKET HEAD CAP SCREW M5x12 BLACK
7	840.V2-07	BASE
8	840.V2-08	M5 INT TOOTH WASHER ZINC
M01	840.V2-M01	MOTOR BODY
M02	840.V2-M02	SLEEVE FOR MOTOR BODY
M03	840.V2-M03	PIN
M04	840.V2-M04	VALVE STEM
M04.1	840.V2-M04A	SEAL CAP
	840.V2-M04B	SPRING
M05	840.V2-M05	SEAL CAP
M06	840.V2-M06	EXHAUST PLUG
M07	840.V2-M07	O-RING
M08	840.V2-M08	STEM
M09	840.V2-M09	PLASTIC COVER FOR COUPLING
M10	840.V2-M10	SPRING
M11	840.V2-M11	SCREW
M12	840.V2-M12	PLUG
M13	840.V2-M13	SPRING
M14	SB-7.2	STEEL BALL 7.2mm
M15	840.V2-M15	WASHER RUBBER M6 X 14
M16	840.V2-M16	O-RING
M17	840.V2-M17	STEM
M18	840.V2-M18	O-RING
M19	840.V2-M19	PLUG
M20	840.V2-M20	PISTON RING
M21	840.V2-M21	PISTON
M22	840.V2-M22	PLUNGER
M23	840.V2-M23	CAP WASHER M7X36
M24	840.V2-M24	SPRING
M25	840.V2-M25	COUPLING
M26	840.V2-M26	SILENCER BOLT
P01	840.V2-P01	PUMP BASE
P02	SB-8.0	STEEL BALL 8.0mm

Item	Part No.	Description
P03	840.V2-P03	SPRING
P04	840.V2-P04	PUMP CYLINDER
P05	840.V2-P05	PACKING
P06	840.V2-P06	SEAL
P07	840.V2-P07	WASHER BRASS THICK
P08	840.V2-P08	NUT
P09	SB-5.5	STEEL BALL 5.5mm
P10	840.V2-P10	SPRING
P11	840.V2-P11	O-RING
P12	840.V2-P12	CHECK VALVE
P13	840.V2-P13	O-RING
P14	840.V2-P14	O-RING
P15	840.V2-P15	RELEASE VALVE
P16	840.V2-P16	SEAL
P17	840.V2-P17	RELEASE RETAINER
P18	840.V2-P18	RING
P19	840.V2-P19	FILTER
P20	840.V2-P20	O-RING
P21	840.V2-P21	SCREW
P22	840.V2-P22	HYDRAULIC HOSE
P23	840.V2-P23	OIL RESERVOIR
P24	840.V2-P24	RESERVOIR
P25	FWM18.S	FLAT WASHER M18 SINGLE
P26	840.V2-P26	3/4 UNF HALF NUT BLACK
P27	840.V2-P27	ADAPTOR
P28	840.V2-P28	SCREW
P30	840.V2-P30	WASHER NYLON M18
P31	GSM55.S	GRUB SCREW M5x5 (SINGLE)
P33	840.V2-P33	BOLT CHECK VALVE
P35	840.V2-P35	O-RING
P36	SB-4.7	STEEL BALL 4.7mm
P37	840.V2-P37	SAFETY VALVE
P38	840.V2-P38	SAFETY SPRING
P40	840.V2-P40	SCREW SAFETY VALVE
P41	840.V2-P41	PLASTIC CAP
--	840.V2-RK	REPAIR KIT (NOT SHOWN)

**NOTE:** It is our policy to continually improve products and as such we reserve the right to alter data, specifications and component parts without prior notice.

**IMPORTANT:** No liability is accepted for incorrect use of product.

**WARRANTY:** Guarantee is 12 months from purchase date, proof of which will be required for any claim.

Sealey Group, Kempson Way, Suffolk Business Park, Bury St Edmunds, Suffolk. IP32 7AR



01284 757500



01284 703534



sales@sealey.co.uk



www.sealey.co.uk