

Simple assembly concept

- by screw-mounting
- geared to 40 mm profile rail
- with a powerful magnet for variable applications

2-colored lighted (red/green)



(figure similar)



Figure	Switches/Buttons	Lighted	Montage	Article No.
	E-STOP button module	red/green	2 holes for screw mounting	BW2773
	E-STOP button module	red/green	retaining clip	BW2529
	E-STOP button module	red/green	magnet	BW2709
	E-STOP button module	no	retaining clip	BW2585
	light button module	red/green	2 holes for screw mounting	BW3159
	light button module	red/green	retaining clip	BW2528
	light button module	red/green	magnet	BW2708

Article no.	BW2709	BW2773	BW2529	BW2585
General data				
Device type	Safety E-STOP button module AS-i			
Connection				
Connections	M12			
AS-i				
Profile	S-7.B.0, ID1=F			
Address	1 single slave			
Required Master Profile	≥M3			
Since AS-i specification	2.1			
Operating voltage	18 ... 31,6 V			
Max. current consumption	<50 mA			
Display				
LED (green)	see table "BW2529 / BW2709 / BW2773 operating options"			–
LED (red)	see table "BW2529 / BW2709 / BW2773 operating options"			–
Robustness				
Robustness	–			
Shock resistance	–	acc. EN 60068-2-27		
Vibration resistance	–	acc. EN 60068-2-6		
Environmental stability	acc. EN 60068-2			
UL-specifications (UL508)				
External protection	An isolated PELV/SELV voltage source of ≤30 V _{DC} has to be protected by a 3 A maximum over current protection. Over current protection is not required when a Class 2 source is employed.			
In general	UL mark does not provide UL certification for any functional safety rating or aspects of the above devices.			
Environment				
Applied standards	EN ISO 13849-1 PLe cat 4 EN ISO 13849-2 EN 62061 SIL 3 EN ISO 13850 EN ISO 60947-5-1 EN ISO 60947-5-5 EN 61000-6-2 EN 61000-6-4			
AS-i standard	EN 62026-2			
Operating altitude	max. 2000 m			
Ambient temperature	0 °C ... +70 °C			
Storage temperature	-25 °C ... +85 °C			
Protection category (EN 60529)	IP54 (in unlocked state)			
Installation depth	–			
Mounting options	magnet	rail mounting or screws	retaining clip	
Contacts	gold contacts, for 100% reliable switching			
Contact assignment	2 normally closed			
Shock resistance min.	100 N			
Mushroom diameter	30 mm			
Life cycle min. (switching cycle)	50.000			
Dimensions (W / H / D in mm)	132 / 42 / 66		123 / 42 / 60	

Article no.	BW3159	BW2528	BW2708
General data			
Device type	AS-i pushbutton module		
Connection			
Connections	M12		
AS-i			
Profile	S-7.A.7, ID1=7 (fixed)		
Address	1 AB slave		
Required Master Profile	≥M4		
Since AS-i specification	3.0		
Operating voltage	18 ... 31,6 V		
Max. current consumption	< 80 mA		
Display			
LED (green)	D0 / D2		
LED (red)	D1 / D3		
Robustness			
Robustness	-		
Shock resistance	acc. EN 60068-2-27	-	
Vibration resistance	acc. EN 60068-2-6	-	
Environmental stability	acc. EN 60068-2		
UL-specifications (UL508)			
External protection	An isolated PELV/SELV voltage source of ≤30 V _{DC} has to be protected by a 3 A maximum over current protection. Over current protection is not required when a Class 2 source is employed.		
In general	UL mark does not provide UL certification for any functional safety rating or aspects of the above devices.		
Environment			
Applied standards	EN 61 000-6-2 EN 61 000-6-4		
AS-i standard	EN 62026-2		
Operating altitude	max. 2000 m		
Ambient temperature	0 °C ... +70 °C		
Storage temperature	-25 °C ... +85 °C		
Protection category (EN 60529)	IP54		
Installation depth	-		
Mounting options	rail mounting or screws	retaining clip	magnet
Contacts	gold contacts, for 100% reliable switching		
Contact assignment	normally opened contact, per button 1 normally opened contact		
Shock resistance min.	100 N		
Mushroom diameter	-		
Life cycle min. (switching cycle)	1.000.000		
Dimensions (W / H / D in mm)	123 / 42 / 40		123 / 42 / 46

BW2529 / BW2709 / BW2773 operating options

	Parameter bit		LED display			
	P1	P0	green	red	yellow	yellow flashing (1 Hz)
Operation by switch	1 ⁽¹⁾	1 ⁽¹⁾	unlocked	operated	-	no AS-i communication
	0	1	operated	unlocked		
Operation via AS-i	x	0	DO1	DO0	DO0 + DO1	no AS-i communication

(1) default

BW2528, BW2708, BW3159:

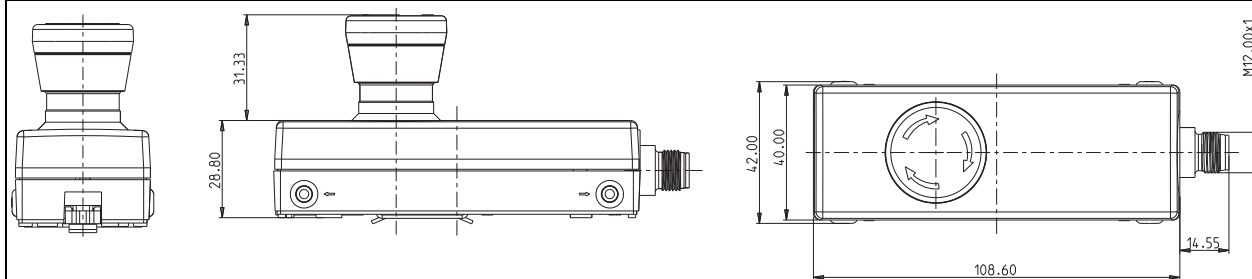
		DO0	DO1	DO2	DO3	DI0	DI1
Button above		-	-	green	red	-	•
Button below		green	red	-	-	•	-

Pin assignment

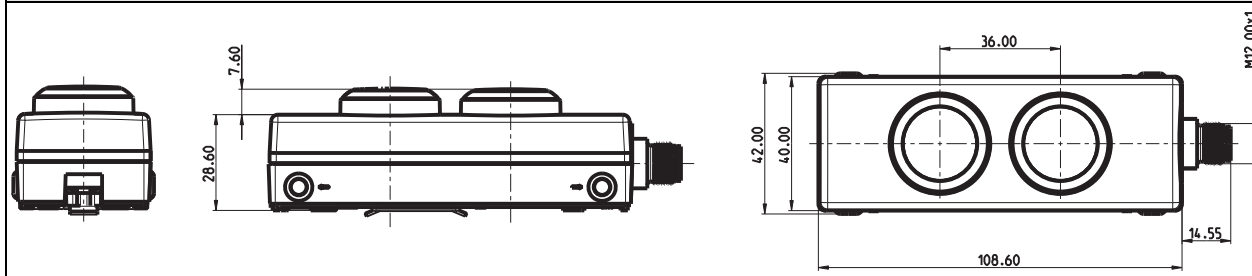
Connections					
Article no.	Pin1	Pin2	Pin3	Pin4	
BW2528, BW2529, BW2585, BW2708, BW2709, BW2773, BW3159	AS-i+	n.c.	AS-i-	n.c.	

Dimensions:

BW2529, BW2585, BW2709, BW2773

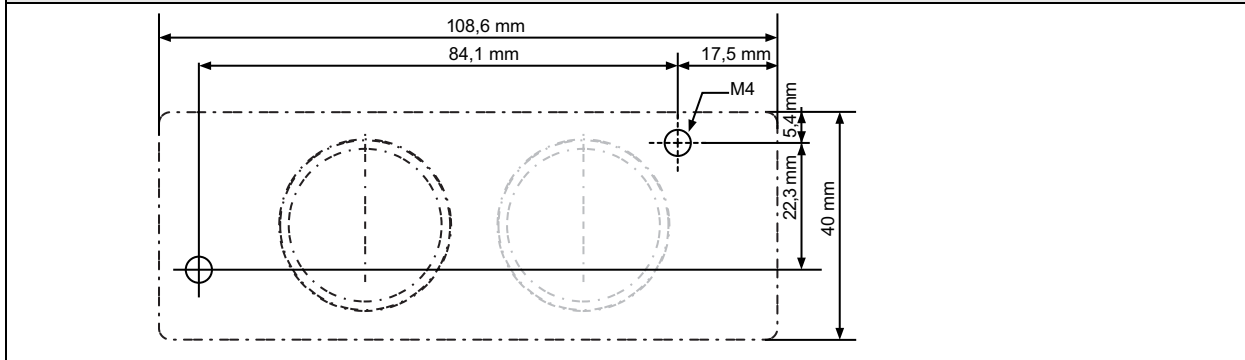


BW2528, BW2708, BW3159



Drilling pattern for direct mounting via screws

BW2773, BW3159



BW2528

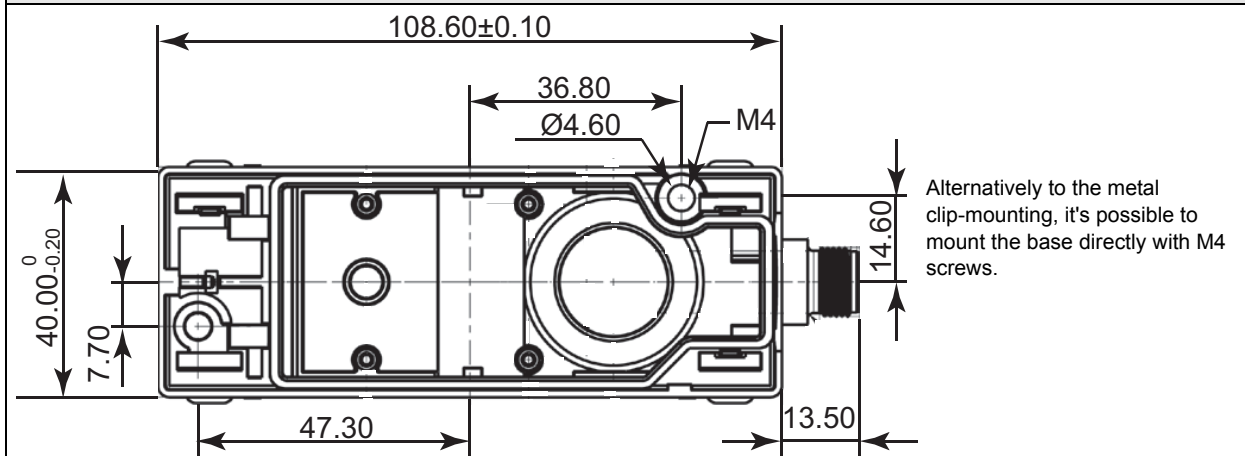


Image for rail mounting:

BW2528, BW2529, BW2585, BW2773
(BW2529 and BW2585: Mounting only about retaining clip!)

