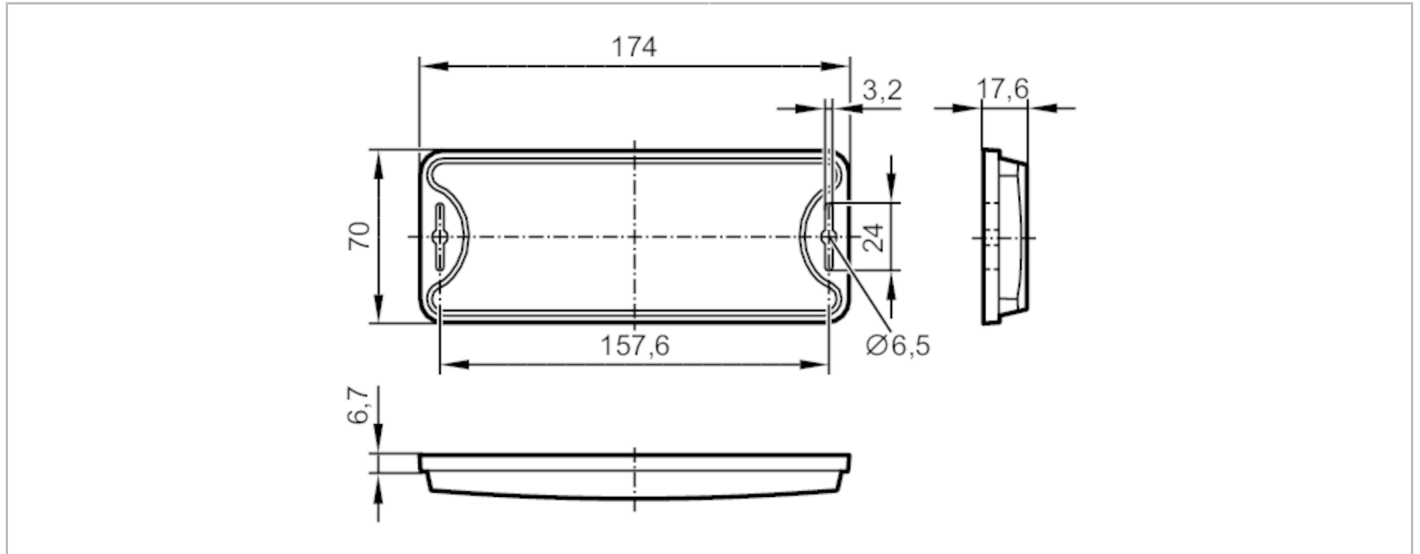


# E80394



## RFID tag

ID-TAG/174x70x17.6/04



Application	
Application	RFID coding of metal tanks
Electrical data	
Operating frequency [MHz]	860...930; (865-867 MHz: India)
Memory size [bit]	512
Memory type	EEPROM
Chip type	Impinj Monza 4QT
Unique Identification Number (UID) [Byte]	6
Electronic product code (EPC)	96 bit; (extendable 128 Bits)
RFID standard	EPC Class1 GEN2/ISO 18000-6C
Operating conditions	
Ambient temperature [°C]	-40...85
Storage temperature [°C]	-40...100
Protection	IP 68
Mechanical data	
Weight [g]	119.2
Dimensions [mm]	70 x 174 x 17.6
Materials	Housing: polycarbonate-ABS
Remarks	
Pack quantity	1 pcs.