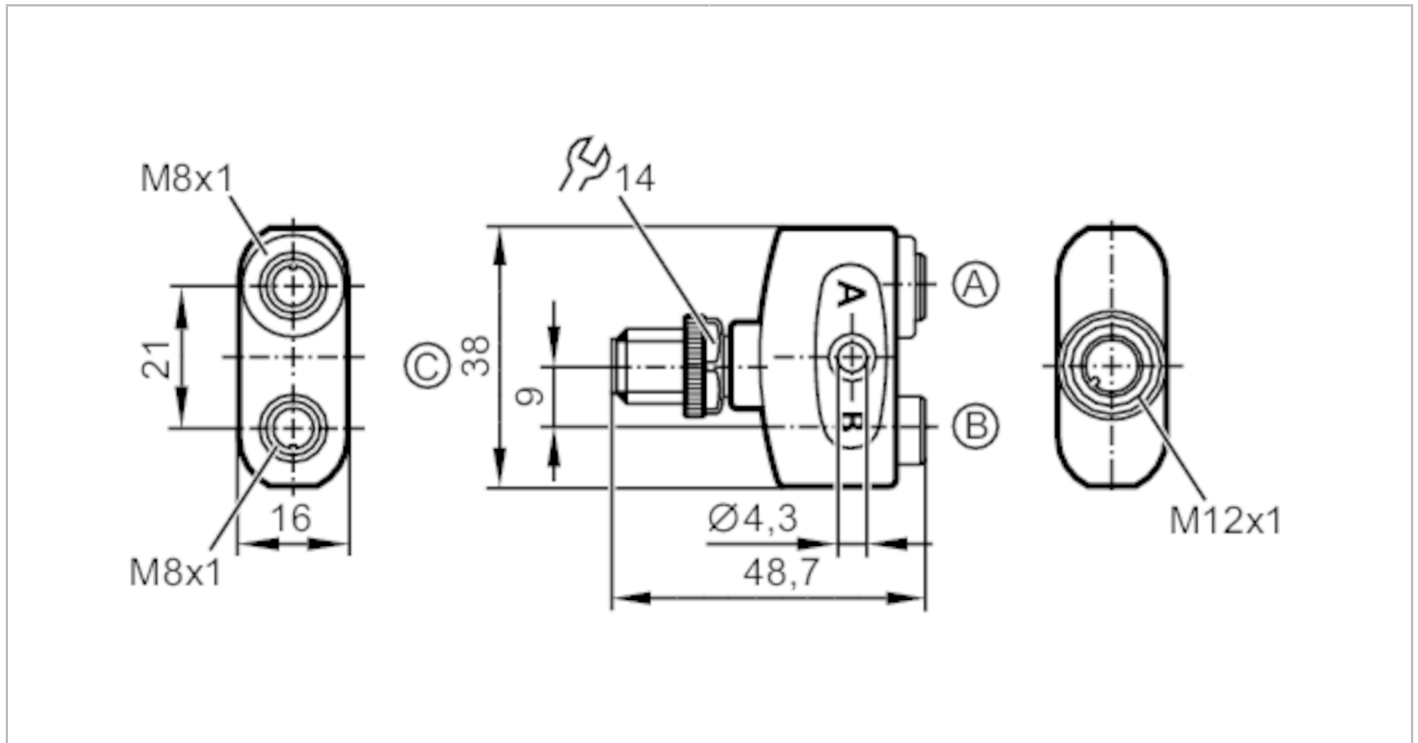




Y-splitter

ZDO2F030MSS0000-00STGH040MSS



Application	
Special feature	Free from silicone; Gold-plated contacts
Free from silicone	yes
Electrical data	
Operating voltage [V]	< 50 AC / < 60 DC
Protection class	III
Max. current load total [A]	3
Operating conditions	
Ambient temperature [°C]	-25...90
Protection	IP 65; IP 67; IP 68; IP 69K
Mechanical data	
Weight [g]	30.2
Materials	housing: PA orange; Sealing: FKM
Material nut	brass, nickel-plated / brass, nickel-plated
Remarks	
Pack quantity	1 pcs.

Electrical connection - plug
 Connector: 1 x M12; Locking: brass, nickel-plated; Contacts: gold-plated; Tightening torque: 0.6...1.5 Nm



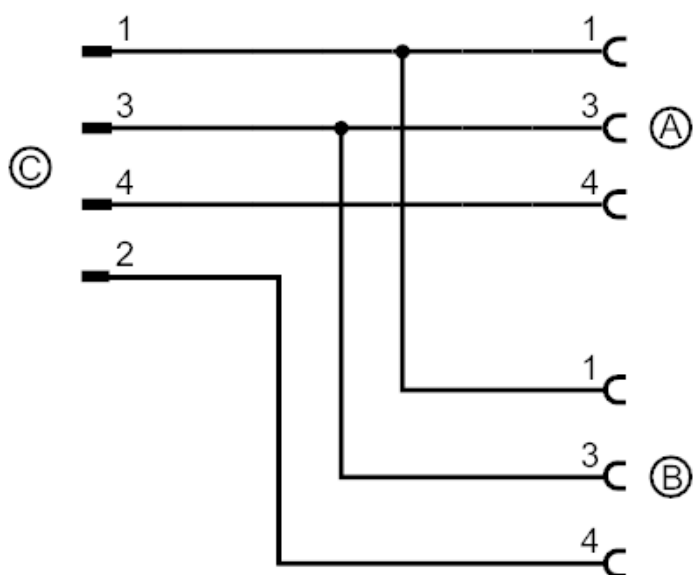


Y-splitter

ZDO2F030MSS0000-00STGH040MSS

Electrical connection

Connection



Electrical connection - socket

Connector: 2 x M8; Locking: brass, nickel-plated; Contacts: gold-plated; Tightening torque: 0.3...0.5 Nm

