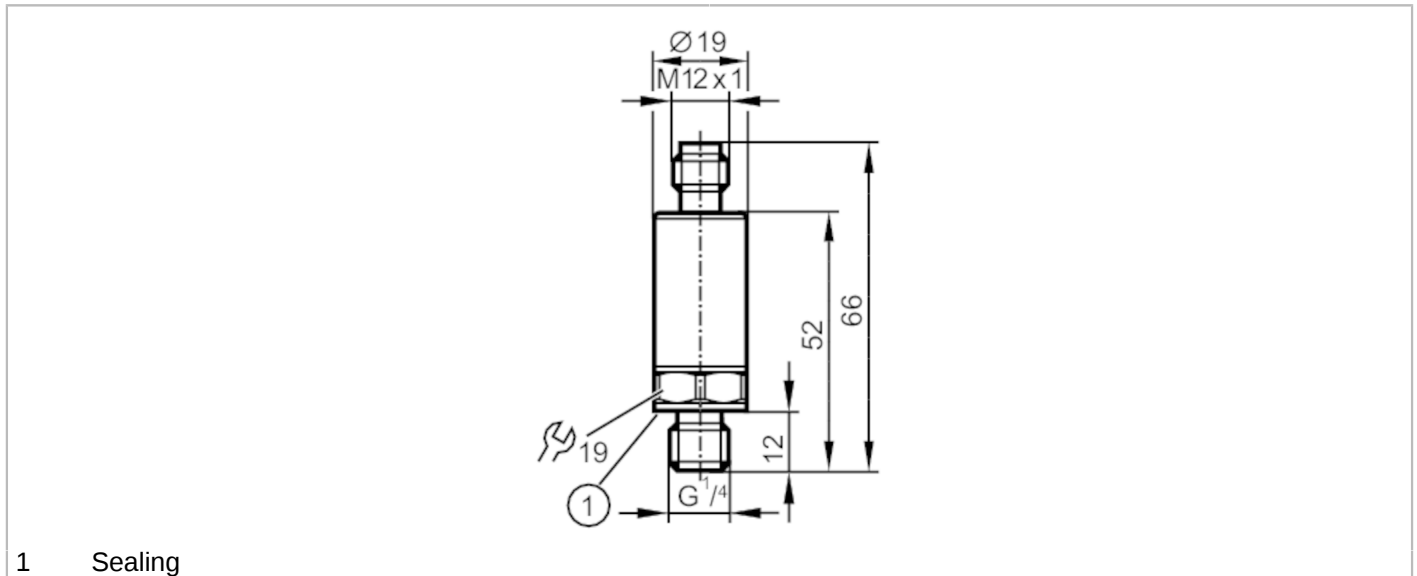


PU5404



Pressure transmitter

PU-010-SEG14-B-DVG/US/ IW



Product characteristics

Output signal	analogue signal			
Measuring range	0...10 bar	0...145 psi	0...1000 kPa	0...1 MPa
Process connection	threaded connection G 1/4 external thread (DIN EN ISO 1179-2)			

Application

Application	for industrial applications		
Media	liquids and gases		
Medium temperature [°C]	-40...90		
Pressure rating	25 bar	360 psi	2.5 MPa
Note on pressure rating	static		
Min. bursting pressure	300 bar	4350 psi	30 MPa
Vacuum resistance [mbar]	-1000		
Type of pressure	relative pressure		

Electrical data

Operating voltage [V]	16...36 DC
Current consumption [mA]	< 12
Min. insulation resistance [MΩ]	100; (500 V DC)
Protection class	III
Reverse polarity protection	yes

Inputs / outputs

Number of inputs and outputs	Number of analogue outputs: 1
------------------------------	-------------------------------

PU5404



Pressure transmitter

PU-010-SEG14-B-DVG/US/ IW

Outputs				
Total number of outputs				1
Output signal				analogue signal
Number of analogue outputs				1
Analogue voltage output [V]				0...10
Min. load resistance [Ω]				2000
Short-circuit proof				yes
Overload protection				yes
Measuring/setting range				
Measuring range	0...10 bar	0...145 psi	0...1000 kPa	0...1 MPa
Accuracy / deviations				
Repeatability [% of the span]	< $\pm 0,05$; (with temperature fluctuations < 10 K)			
Characteristics deviation [% of the span]	< $\pm 0,5$; (incl. drift when overtightened, zero point and span error, non-linearity, hysteresis)			
Linearity deviation [% of the span]	< $\pm 0,1$ (BFSL) / < $\pm 0,2$ (LS)			
Hysteresis deviation [% of the span]	< $\pm 0,2$			
Long-term stability [% of the span]	< $\pm 0,1$; (per 6 months)			
Temperature coefficient zero point and span [% of the span / 10 K]	< $\pm 0,1$ (-25...90 °C) / < $\pm 0,2$ (-40...-25 °C)			
Response times				
Step response time analogue output [ms]				1
Operating conditions				
Ambient temperature [°C]				-40...90
Storage temperature [°C]				-40...100
Protection				IP 67; IP 69K
Tests / approvals				
EMC	DIN EN 61000-6-2			
	DIN EN 61000-6-3			
Shock resistance	DIN EN 60068-2-27			50 g (11 ms)
Vibration resistance	DIN EN 60068-2-6			20 g (10...2000 Hz)
MTTF [years]				762
UL approval	UL Approval no.			J031
Pressure Equipment Directive	Sound engineering practice; can be used for group 2 fluids; group 1 fluids on request			

PU5404



Pressure transmitter

PU-010-SEG14-B-DVG/US/ IW

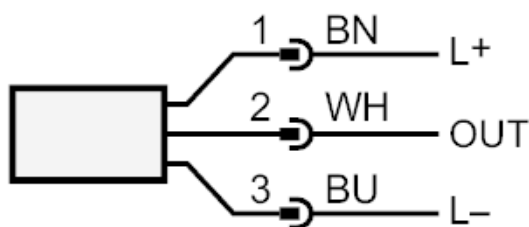
Mechanical data	
Weight [g]	58.5
Materials	1.4542 (17-4 PH / 630); stainless steel (1.4404 / 316L); PEI
Materials (wetted parts)	1.4542 (17-4 PH / 630)
Min. pressure cycles	60 million; (at 1.2 times nominal pressure)
Tightening torque [Nm]	25...35; (recommended tightening torque; depends on lubrication, seal and pressure rating)
Process connection	threaded connection G 1/4 external thread (DIN EN ISO 1179-2)
Process connection sealing	FKM (to DIN 3869)
Restrictor element integrated	no (can be retrofitted)
Remarks	
Remarks	BFSL = Best Fit Straight Line LS = limit value setting
Pack quantity	1 pcs.

Electrical connection

Connector: 1 x M12



Connection



OUT analogue output
 colours to DIN EN 60947-5-2
 Core colours :

BN = brown
 BU = blue
 WH = white