



**Part no.: 50102916**  
**TFM 05 1110.210**  
**Transponder**



Figure can vary

## Contents

- Technical data
- Dimensioned drawings
- Notes
- Accessories

Part no.: 50102916 – TFM 05 1110.210 – Transponder

## Technical data

### Basic data

Series	TFM
Suitable for	RFM
Chip	I-CodeSLI
Working frequency	13.56 MHz

### Electrical data

#### Performance data

Memory access	Read/Write
Memory size	112 B
Memory block	28 Piece(s)
Memory block size	4 B
Storage time	50 ms

### Certifications

Standards applied	ISO 15693
-------------------	-----------

### Mechanical data

Design	Disc
Thickness	2.5 mm
Outer diameter	50 mm
Inner diameter	4.2 mm
Housing material	Plastic , PC
Net weight	10 g

### Environmental data

Ambient temperature, operation	-20 ... 85 °C
Ambient temperature, storage	-25 ... 120 °C

### Certifications

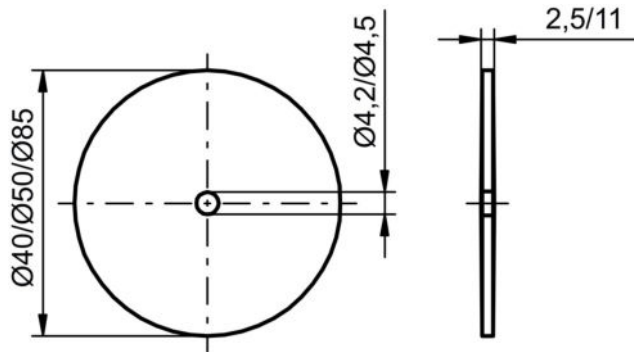
Degree of protection	IP 66
----------------------	-------

### Classification

Customs tariff number	85235200
eCl@ss 8.0	27289290
eCl@ss 9.0	27280402
ETIM 5.0	EC002996
ETIM 6.0	EC002996

## Dimensioned drawings

All dimensions in millimeters



## Notes


### Observe intended use!

- This product is not a safety sensor and is not intended as personnel protection.
- The product may only be put into operation by competent persons.
- Only use the product in accordance with its intended use.

- Under certain circumstances, metal in the reading field reduces the operating range considerably.

## Accessories

### Mounting technology - Other

	Part no.	Designation	Article	Description
	50107103	Spacer 50 HT	Spacer	Design, housing: Hollow cylinder Inner diameter: 5 mm Housing material: Plastic, PA 66

### Note

A list with all available accessories can be found on the Leuze electronic website in the Download tab of the article detailed page.