

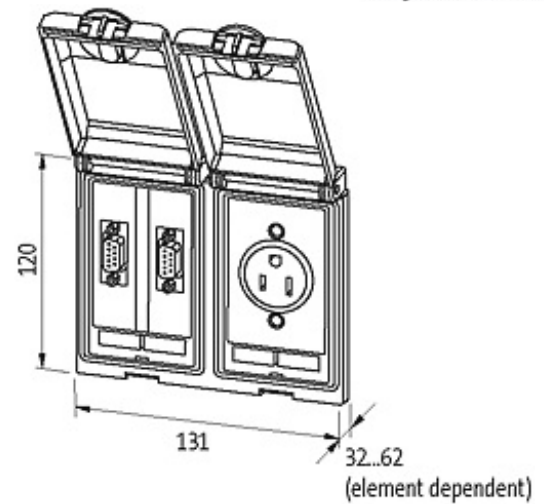
**MODLINK MSDD SET CONTAINS:**

4000-68123-0000000 (double frame nickel plated)

[Link to Product](#)

**Illustration**





Product may differ from Image

### Frame

Article number	4000-68123-0000000
suitable for mounting with wall thickness	1...5 mm
Protection	IP65
Housing	Zinc die-casting, with surface finishing
Dimensions H x W x D	120x130x35
Temperature range	-10...+60 °C (storage temperature -25...+60 °C)
Shielded	yes

### Insert 1

Article number	4000-68000-0010000
Operating voltage	max. 250 V AC
Operating current	max. 16 A
Connection	Screw terminals: max. 6 mm <sup>2</sup>
Mounting depth mounted	approx. 62 mm
Dimensions H x W x D	88x51x68

### Commercial data

country of origin	CZ
customs tariff number	85389099
minimum order quantity	1