

ACCES.F.FUSE SWI.DISCONNECTOR FOR NH000 3-PHASE BUSBAR FOR 2X NH000



Figure similar

| Model | |
|-----------------------|---|
| product brand name | SENTRON |
| Design of the product | for 3NP1 fuse switch disconnectors, 3-phase busbar, for 2x size NH000 |

| Accessories | |
|-------------|-------------------|
| accessories | Connection system |

| General Product Approval | Declaration of Conformity |
|--------------------------|---------------------------|
|--------------------------|---------------------------|

CB

CB



GOST

EAC



EG-Konf.

Further information

Information- and Downloadcenter (Catalogs, Brochures,...)

<http://www.siemens.com/lowvoltage/catalogs>

Industry Mall (Online ordering system)

<https://eb.automation.siemens.com/mall/en/WW/Catalog/Product/3NP19231BF20>

Service&Support (Manuals, Certificates, Characteristics, FAQs,...)

<http://support.automation.siemens.com/WW/view/en/3NP19231BF20/all>

Image database (product images, 2D dimension drawings, 3D models, device circuit diagrams, ...)

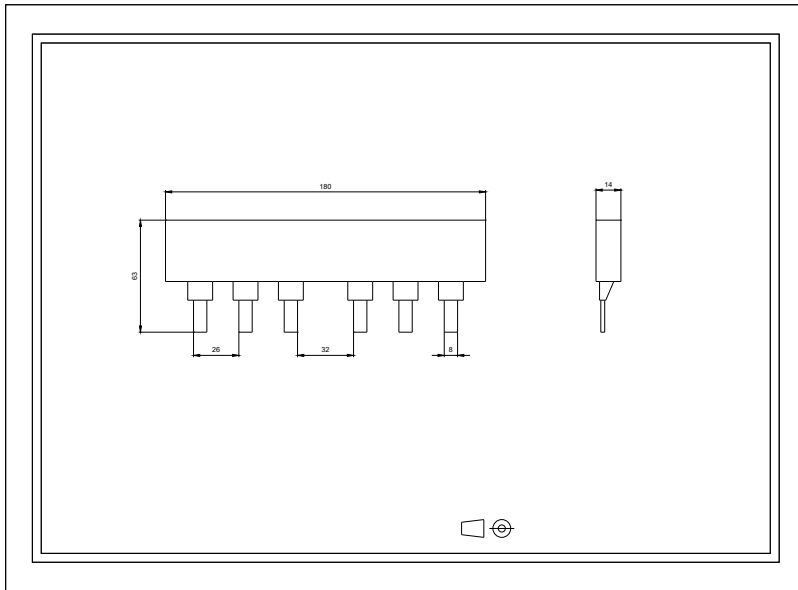
http://www.automation.siemens.com/bilddb/cax_en.aspx?mlfb=3NP19231BF20

CAX-Online-Generator

<http://www.siemens.com/cax>

Tender specifications

<http://ausschreibungstexte.siemens.com/tiplv>



last modified:

11.03.2015