



LED COVER FOR POSITION SWITCH METAL 3SE52, FOR HOUSING ACC. TO EN50047, 31MM LEDS 110-230V AC YELLOW/GREEN YELLOW

Product designation		cover with LEDs 230 V AC, for enclosure 50047, metal, yellow
---------------------	--	--

General technical data:

Product function		
• positive opening		Yes
Insulation voltage		
• Rated value	V	400
Shock resistance		30g / 11 ms
Vibration resistance		0.35 mm / 5g
Protection class IP		IP66/IP67
Explosion protection category for dust		none
Explosion protection category for gas		none

Enclosure:

Design of the housing		block, narrow
Material of the enclosure		metal
Coating of the enclosure		cathodic immersion coating

Drive Head:

Design of the operating mechanism		without
--	--	---------

Connections/ Terminals:

Type of electrical connection		screw-type terminals
--------------------------------------	--	----------------------

Communication/ Protocol:

Design of the interface		without
--------------------------------	--	---------

Ambient conditions:

Ambient temperature		
• during operation	°C	-25 ... +60
• during storage	°C	-40 ... +90

Supply voltage:

Type of voltage of the supply voltage		
• of the optional LED indicator		AC
Supply voltage		
• of LED	V	230

Installation/ mounting/ dimensions:

mounting position		any
Mounting type		screw fixing

Certificates/ approvals:

General Product Approval	Declaration of Conformity	Test Certificates
 CCC	 CSA	 UL
 EAC		 EG-Konf.
		Special Test Certificate

other

[Confirmation](#)

Further information

Information- and Downloadcenter (Catalogs, Brochures,...)

<http://www.siemens.com/industrial-controls/catalogs>

Industry Mall (Online ordering system)

<http://www.siemens.com/industrymall>

Cax online generator

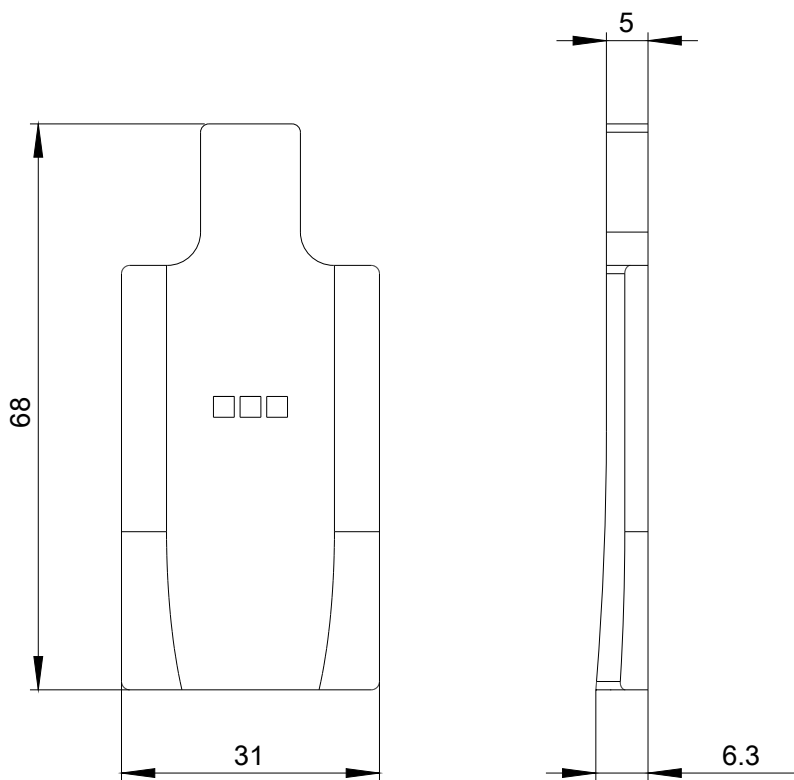
<http://support.automation.siemens.com/WW/CAXorder/default.aspx?lang=en&mlfb=3SE52103AA001AG0>

Service&Support (Manuals, Certificates, Characteristics, FAQs,...)

<http://support.automation.siemens.com/WW/view/en/3SE52103AA001AG0/all>

Image database (product images, 2D dimension drawings, 3D models, device circuit diagrams, EPLAN macros, ...)

http://www.automation.siemens.com/bilddb/cax_de.aspx?mlfb=3SE52103AA001AG0&lang=en



last modified:

16.03.2015