

DOOR COUPLING 8X8MM ACCESSORY FOR:
EXTENSION SHAFT 8MM, 3VA, 3VM, DOOR
COUPLING OPERATOR



Model

product brand name	SENTRON
--------------------	---------

Product details

Product component / axis extension	No
------------------------------------	----

General Product Approval	Declaration of Conformity
--------------------------	---------------------------



EG-Konf.

Further information

Information- and Downloadcenter (Catalogs, Brochures,...)

<http://www.siemens.com/lowvoltage/catalogs>

Industry Mall (Online ordering system)

<https://eb.automation.siemens.com/mall/en/WW/Catalog/Product/8UD19002HA00>

Service&Support (Manuals, Certificates, Characteristics, FAQs,...)

<http://support.automation.siemens.com/WW/view/en/8UD19002HA00/all>

Image database (product images, 2D dimension drawings, 3D models, device circuit diagrams, ...)

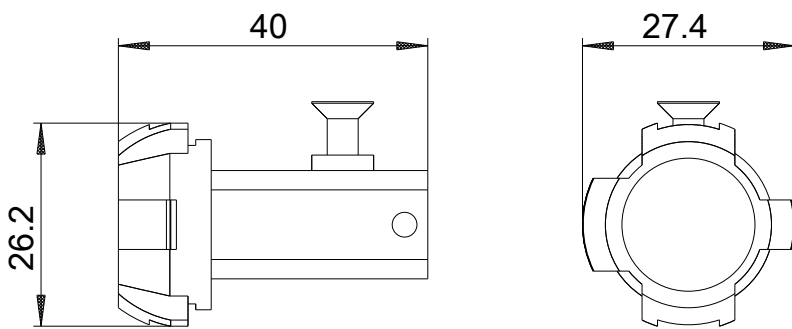
http://www.automation.siemens.com/bilddb/cax_en.aspx?mfb=8UD19002HA00

CAX-Online-Generator

<http://www.siemens.com/cax>

Tender specifications

<http://ausschreibungstexte.siemens.com/tiplv>



last modified:

16.03.2015