

Mounting Clamp for Ø 20 mm

ZMSII0002

Part Number



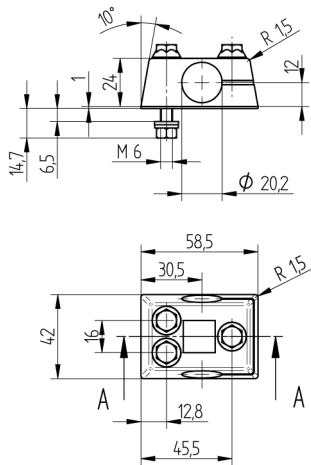
Technical Data

Mechanical Data

Material	Stainless Steel 316L
Material Sealing	EPDM (FDA)
Scope of delivery	3 screws
Packaging unit	1 Piece
Hygienic Design	●
Detergent resistant	●
Mounting Number	140

- Hygiene-compatible screws included in delivery
- Hygienic design makes it easy to clean
- Made with food safe materials that are FDA approved
- Resistant to cleaning agents

InoxSens is the hygiene series from wenglor. The InoxSens mounting clamp is also part of this complete system, which is seamlessly integrated into the machine. The clamp allows you to install the InoxSens sensors and mounting tubes in your installation using hygiene-compatible materials.



All dimensions in mm (1 mm = 0.03937 Inch)

