

Spur Gears - Acetal



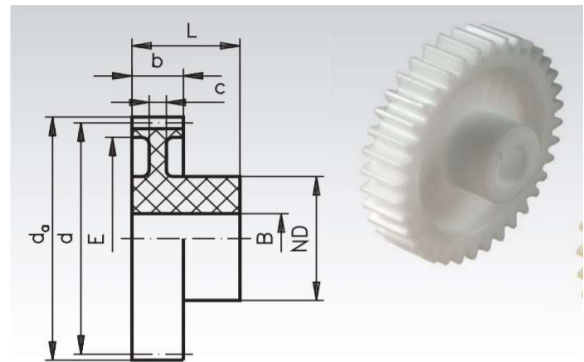
- Injection Moulded
- Machined Bores
- Pressure angle 20°

High Strength and low friction coefficient makes these gears a popular choice for many applications, including under water

Material : Acetal

Module : 0.5

Thickness (b) : 3mm



Order Code	Teeth	Overall Dia (da)	Pitch Dia (d)	Hub Dia (ND)	Bore (B) (H7)	Torque (Ncm)	Weight (g)
101281012	12	7	6	4	2	0.8	0.14
101281015	15	8.5	7.5	6	3	1.1	0.34
101281016	16	9	8	6	3	1.2	0.35
101281018	18	10	9	7.8	4	1.5	0.53
101281020	20	11	10	7.9	4	1.9	0.6
101281022	22	12	11	10	4	2.4	0.92
101281024	24	13	12	9.9	4	2.9	0.99
101281030	30	16	15	11.9	4	4.9	1.55
101281032	32	17	16	12	4	5.7	1.68
101281036	36	19	18	11.9	4	7.5	1.9
101281038	38	20	19	12	4	8.5	2.01
101281040	40	21	20	12	4	9.5	2.01
101281048	48	25	24	15	6	14.5	3.03
101281060	60	31	30	15	6	21.2	3.88
101281070	70	36	35	15	6	25.8	4.62
101281080	80	41	40	15	6	29.5	5.68